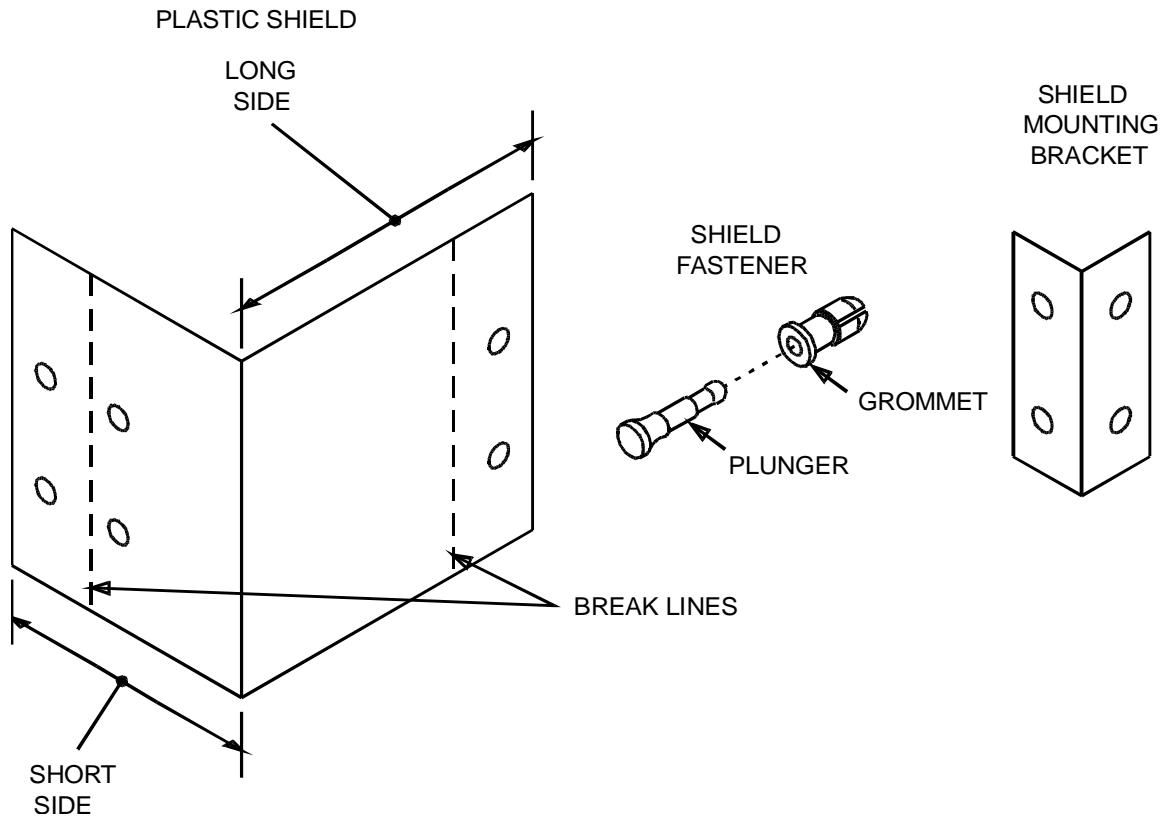


STEP 1—VERIFY PARTS (AND GENERAL INFORMATION)



The parts furnished for the 81A shield installation are shown in the following table.

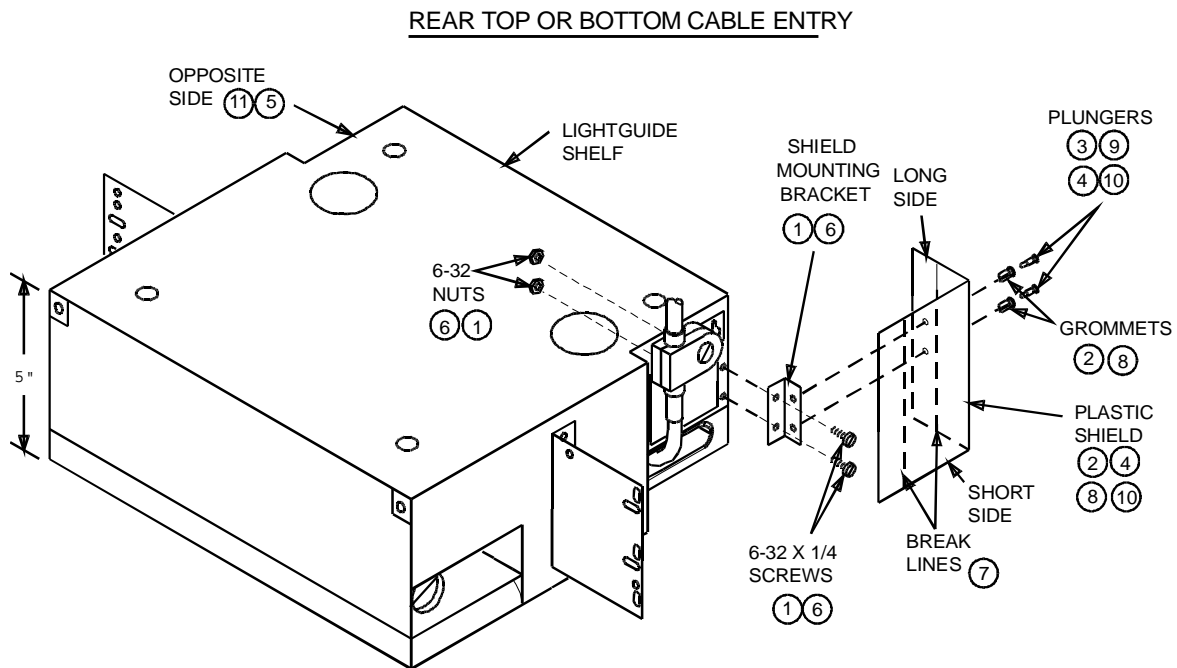
Parts	Quantity
Plastic shields	2
6-32 x 1/4 screws	4
6-32 nuts	4
Shield mounting bracket	2
Shield fasteners	4

Notes:

1. This instruction sheet contains shield mounting instructions for each cabling method used with lightguide shelves. Select the step that is similar to your cable entry installation.
2. Shield fasteners are used to hold shield in place. Grommet must be installed in shield before plunger is inserted into grommet. To operate, pull plunger out to indent position to unlatch fastener and push plunger into latch.

1. Verify parts against parts list.

STEP 2—POSITION AND MOUNT SHIELD TO REAR OF SHELF



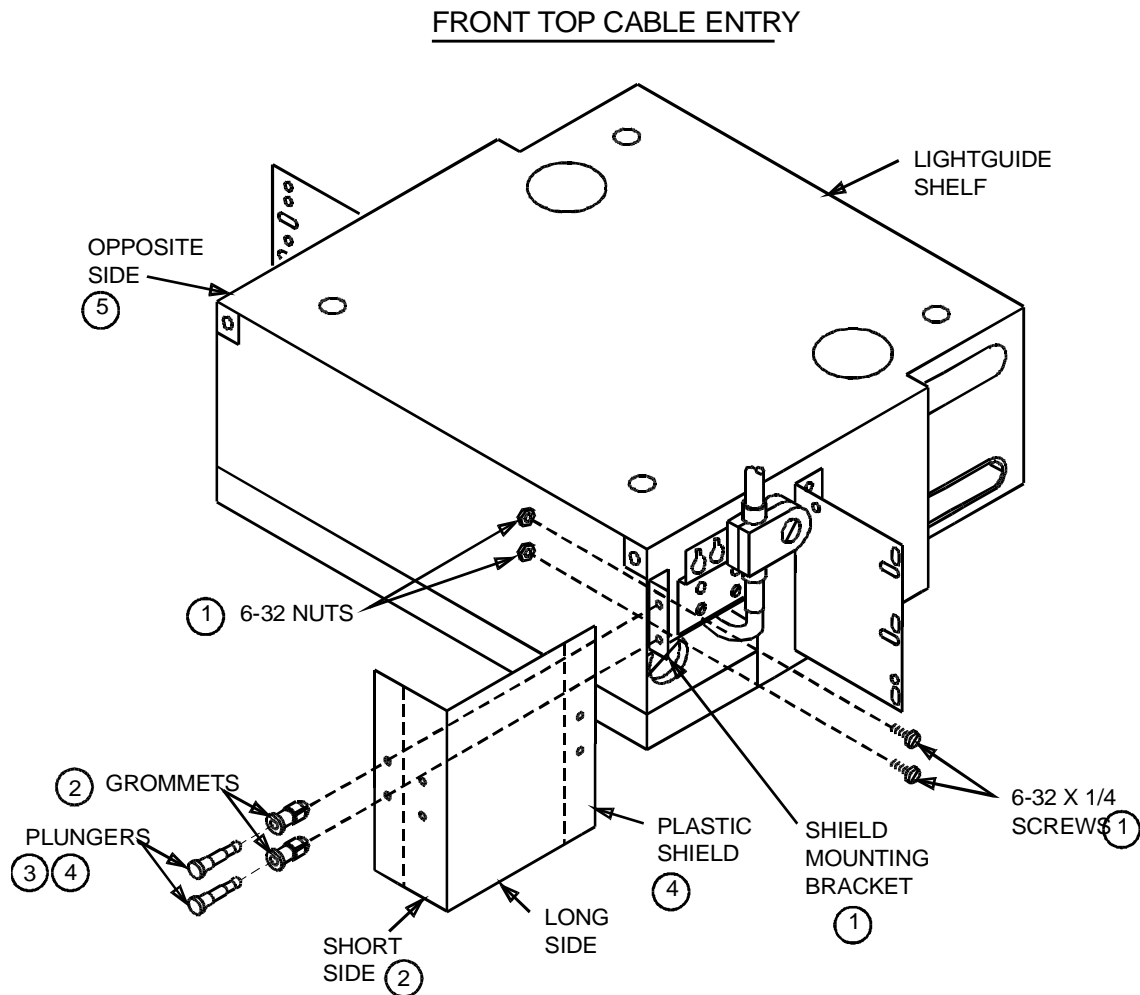
Note: Shields may be mounted on both sides of lightguide shelf.

23-INCH FRAME

1. Position and secure shield mounting bracket to rear of shelf with two 6-32 x 1/4 screws and two nuts.
2. Insert grommets into the two holes at the edge of the long side of the shield.
3. Insert plungers into grommets.
4. Unlatch fasteners, position shield on mounting bracket, and latch fasteners to secure.
5. Repeat shield installation procedure for opposite side of shelf, if required.

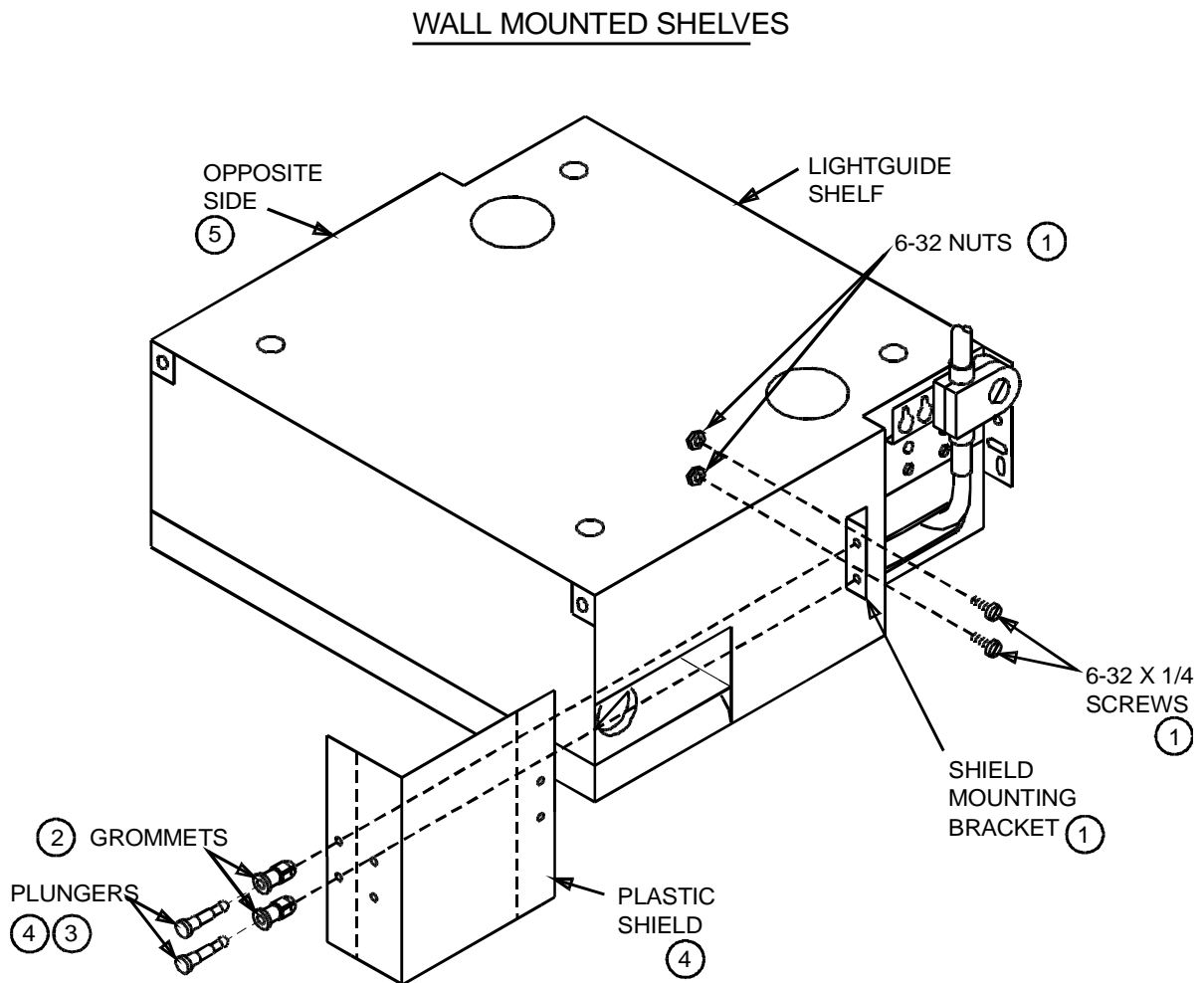
19-INCH FRAME

1. Position and secure shield mounting bracket to rear of shelf with two 6-32 x 1/4 screws and two nuts.
2. Bend and break off both ends of the plastic shield at the break lines.
3. Insert grommets into the two remaining holes in the short side of the shield.
4. Insert plungers into grommets.
5. Unlatch fasteners, position shield on mounting bracket, and latch fasteners to secure.
6. Repeat shield installation procedure for opposite side of shelf, if required.

STEP 3—POSITION AND MOUNT SHIELD TO FRONT OF SHELF**23-INCH FRAME**

1. Position and secure shield mounting bracket to front of shelf with two 6-32 x 1/4 screws and two nuts.
2. Insert grommets into the two holes at the edge of the short side of the shield.
3. Insert plungers into grommets.
4. Unlatch fasteners, position shield on mounting bracket, and latch fasteners to secure.
5. Repeat shield installation procedure for opposite side of shelf, if required.

STEP 4—POSITION AND MOUNT SHIELD TO SIDE OF SHELF (WALL-MOUNTED SHELVES)



WALL-MOUNTED INSTALLATION

1. Position and secure shield mounting bracket to side of shelf with two 6-32 x 1/4 screws and two nuts.
2. Insert grommets into the two holes at the edge of the short side of the shield.
3. Insert plungers into grommets.
4. Unlatch fasteners, position shield on mounting bracket, and latch fasteners to secure.
5. Repeat shield installation procedure for opposite side of shelf, if required.