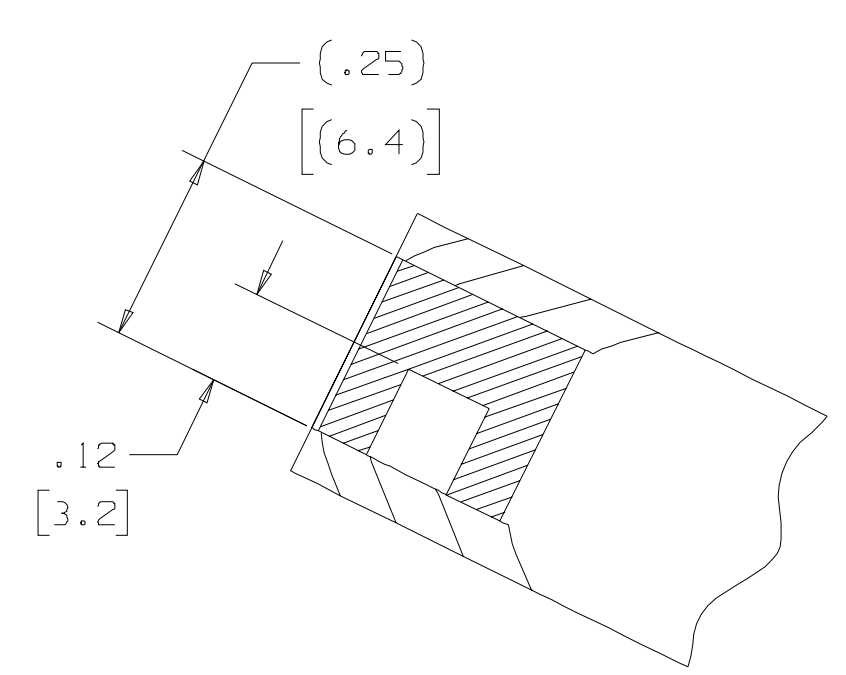
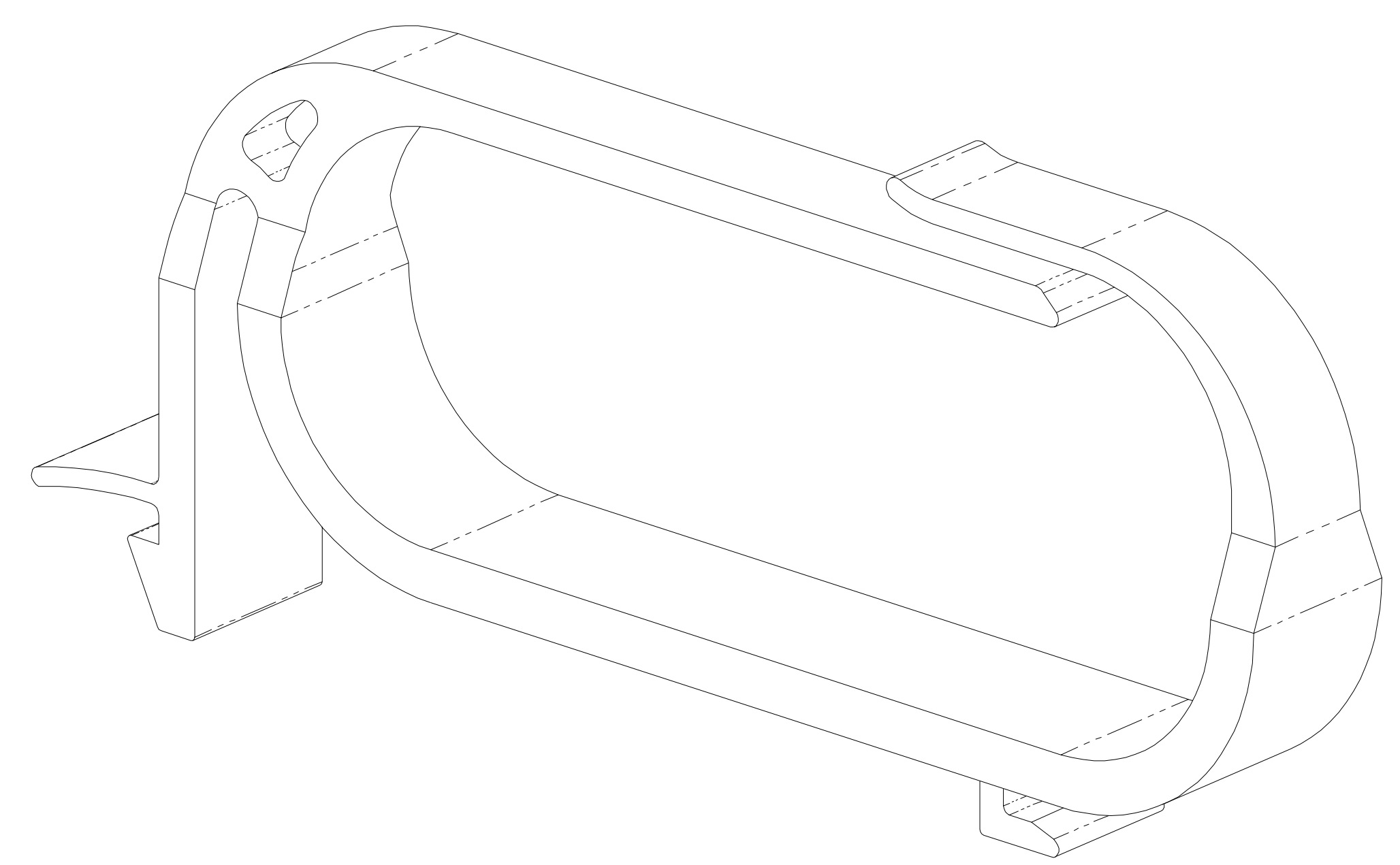


NOTES:

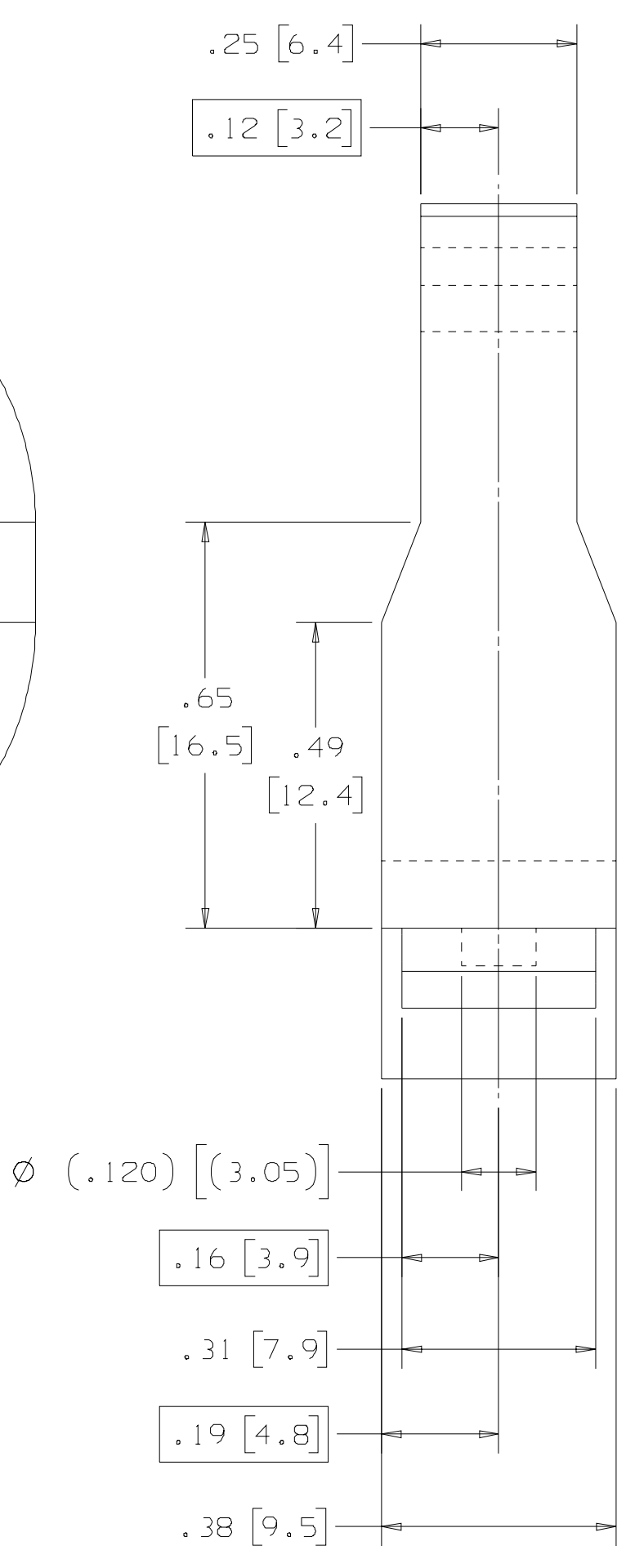
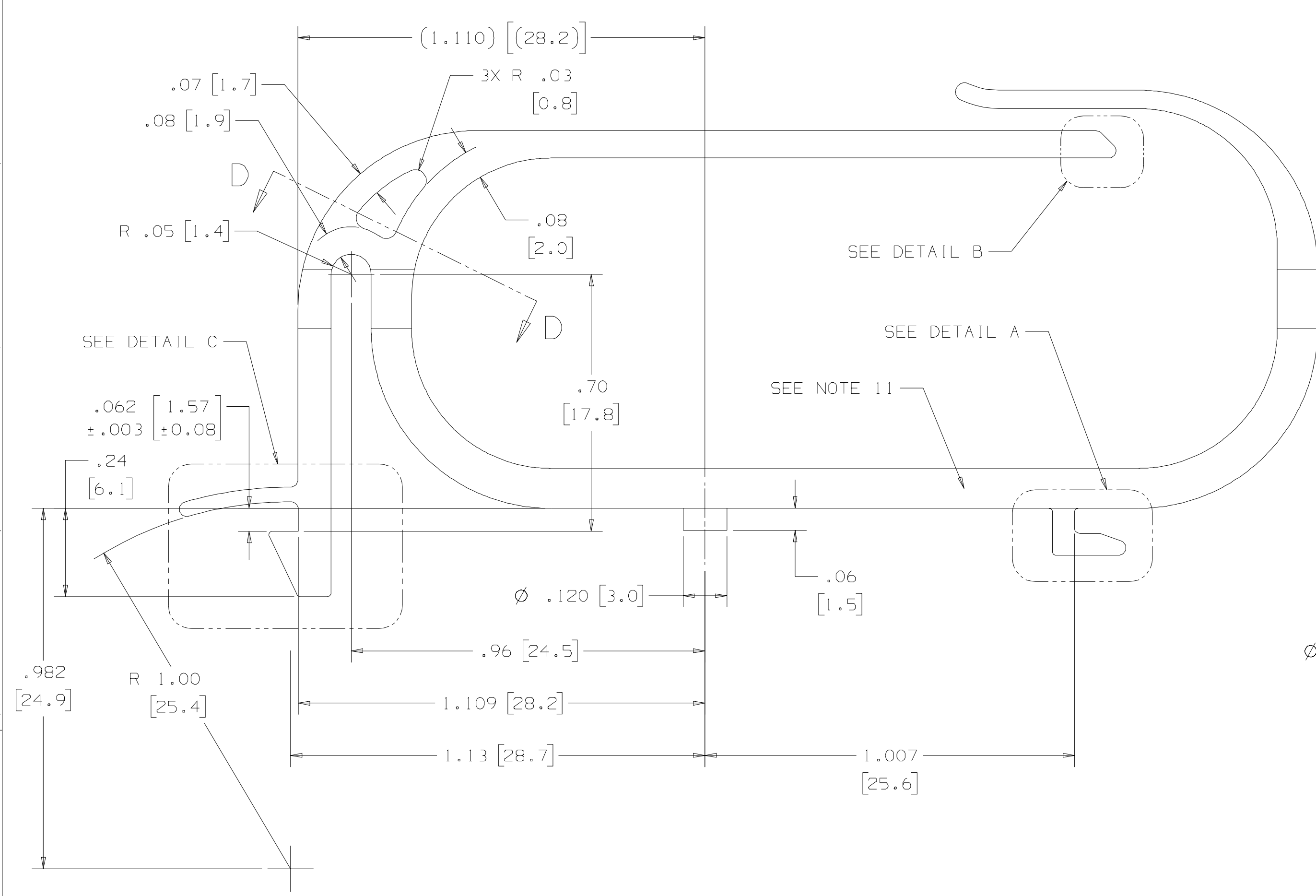
- UNLESS OTHERWISE SPECIFIED, ALL DIMENSIONS ARE IN INCHES. NONLIMITED DIMENSIONS OTHER THAN SIZE OF RAW MATERIAL SHALL BE HELD AS FOLLOWS WHEN EXPRESSED:
TO 2 DECIMAL PLACES ±.01 [0.25] AS ANGLES ±2° TO 3 DECIMAL PLACES ±.005 [0.12]. THIS DRAWING HAS BEEN PREPARED IN ACCORDANCE WITH ANSI Y14.5M - 1994. DIMENSIONS SHOWN IN BRACKETS () ARE MILLIMETERS AND FOR REFERENCE.
- UNLESS OTHERWISE SPECIFIED, ALL CORNER AND EDGE RADIUS SHALL BE .010 [0.25]. CORNERS AND EDGES SHOWN AS SHARP MAY BE ROUNDED TO R .025 [0.63].
- UNLESS OTHERWISE SPECIFIED, A MAXIMUM DRAFT OF ONE DEGREE IS PERMITTED WHERE REQUIRED. INTERNAL DIMENSIONS APPLY AT THE SMALL END; EXTERNAL DIMENSIONS APPLY AT THE LARGE END.
- PART SHALL BE FREE OF FLASH, GATE VESTIGE, AND OTHER FOREIGN MATERIAL.
- NO DRAFT PERMITTED ON THIS SURFACE.
- MATERIAL: POLYCARBONATE MOLDING COMPOUND, PER MS 58547, TYPE 7A.
COLOR: CENTRAL OFFICE WHITE, PER X-SPEC 30001. COMPOUND SHALL BE FLAME RETARDANT GRADE 94V-0 AND SHALL RESIST CRACKING WHEN EXPOSED TO SOLVENTS. MAY BE OBTAINED FROM G.E. AS THEIR LEXAN ML 6124, COLOR GEP XS 19719; OR FROM MILES, INC. AS THEIR MAKROLON 6485, COLOR 3599.
- PARTS PROVIDED BY OUTSIDE SUPPLIERS SHALL HAVE THE MATERIAL AND MATERIAL MANUFACTURER MARKED ON THE OUTSIDE OF THE CONTAINER, OR SUPPLIER MUST PROVIDE A CERTIFICATE OF COMPLIANCE WHICH INCLUDES REFERENCE TO MEETING UL RECOGNIZED COMPONENTS PLASTIC MATERIAL RATING 94 V-0.
- RESIN MANUFACTURE'S INSTRUCTIONS FOR PROCESSING AND DRYING MUST BE FOLLOWED.
- SURFACE FINISH SHALL BE SPE-SPI 5.
- THE USE OF MOLD RELEASE AGENTS IS PROHIBITED.
- LOCATE CAVITY NUMBER IN THIS APPROXIMATE LOCATION. CHARACTERS SHALL BE .07 [1.7] HIGH, RECESSED .003-.007 [0.07-0.17].

847479268

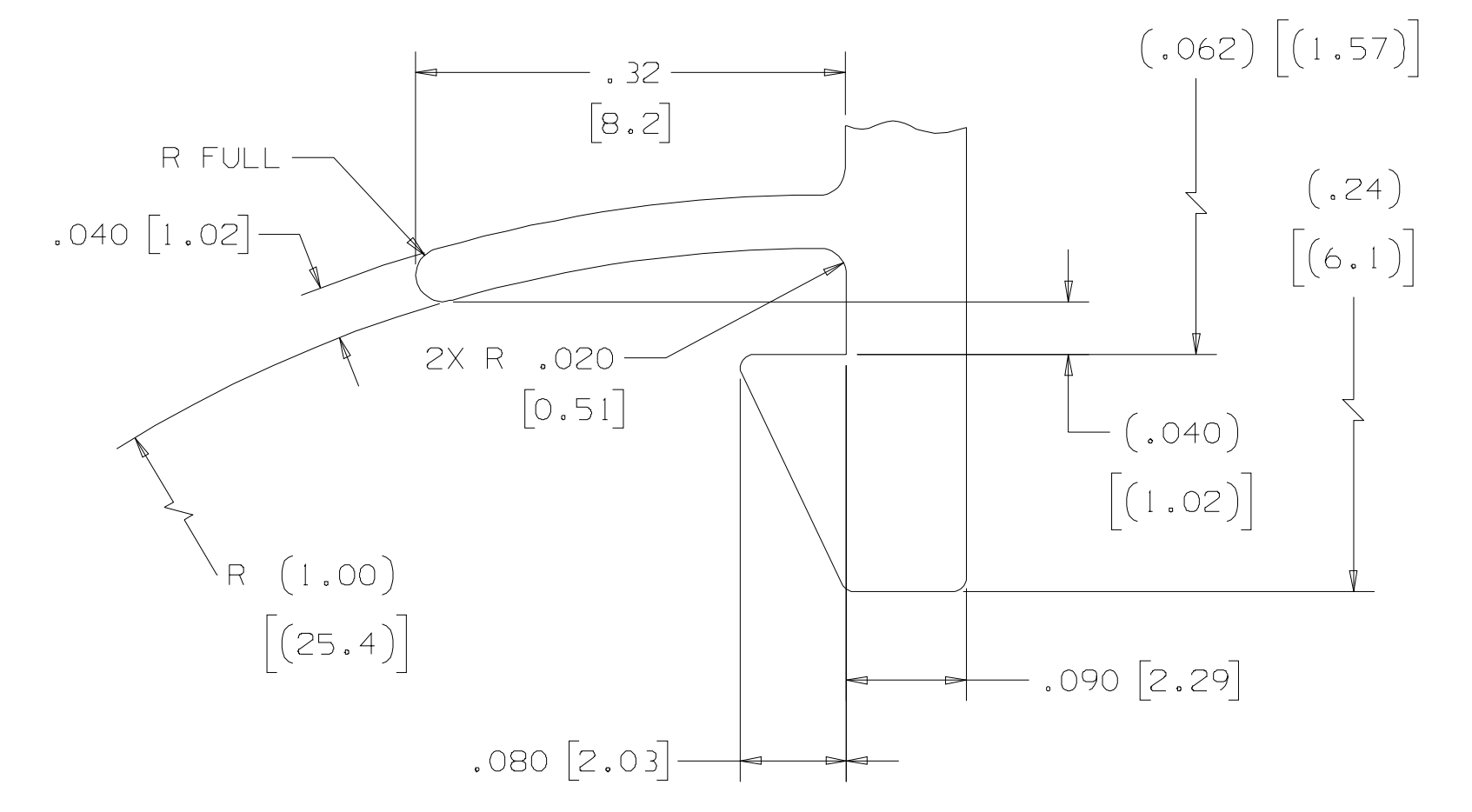
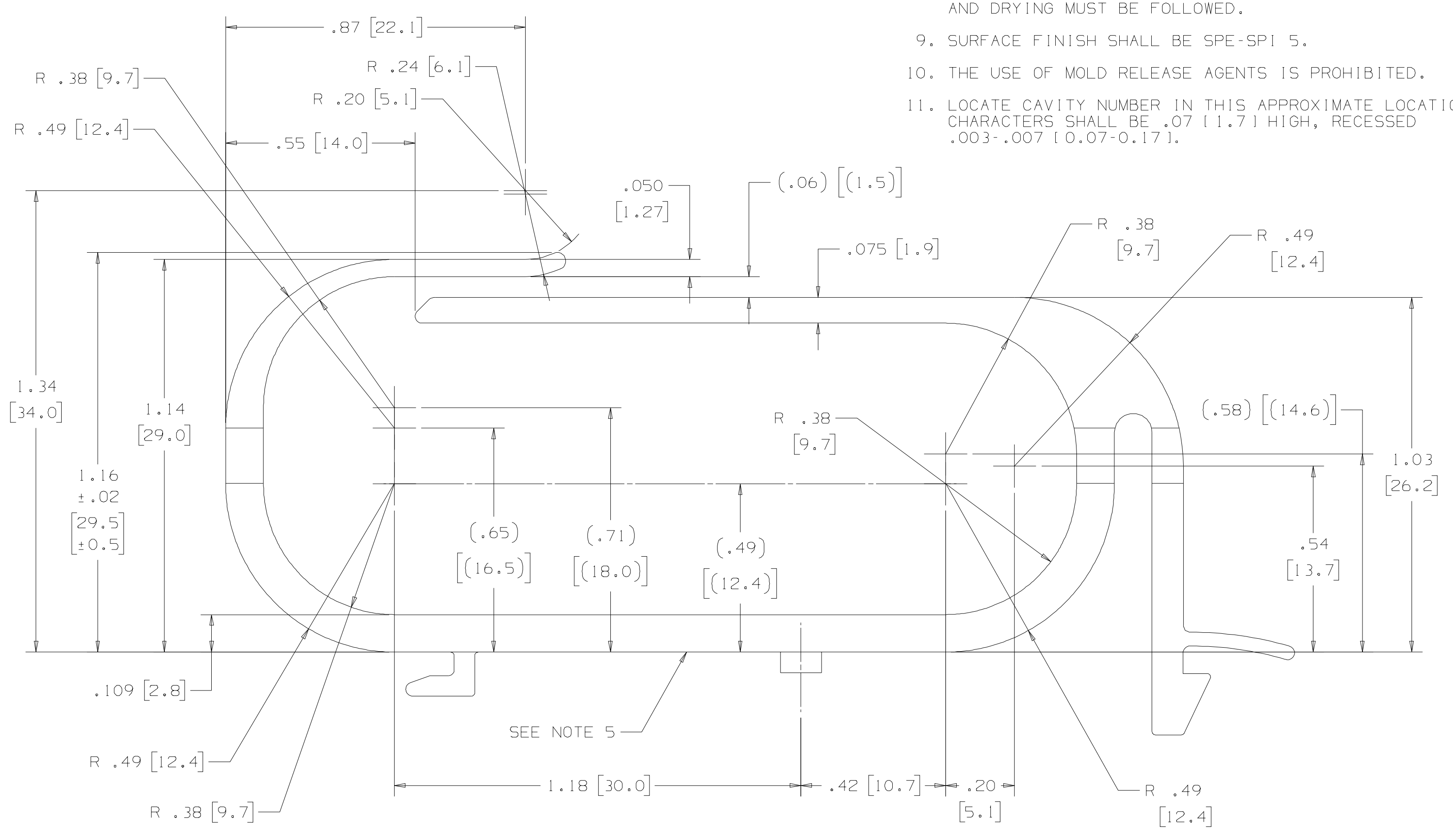
ENGR			
DRWN			
08-10-94 ISSUE 1			
REDRAWN ON OFS FORMAT WITH CHANGES.			
CHNG: CORE-OUT, SECT. D-D, TO REFLECT PROD TOOLING.			
REMOVED: PART NUMBER MARKING RED TO ALLOW TOOL TO PRODUCE BOTH BLACK AND WHITE PARTS.			
09-26-05	COOAKS117	NP	ISS: 1
SRA	JAF	DLF	10
WCW			



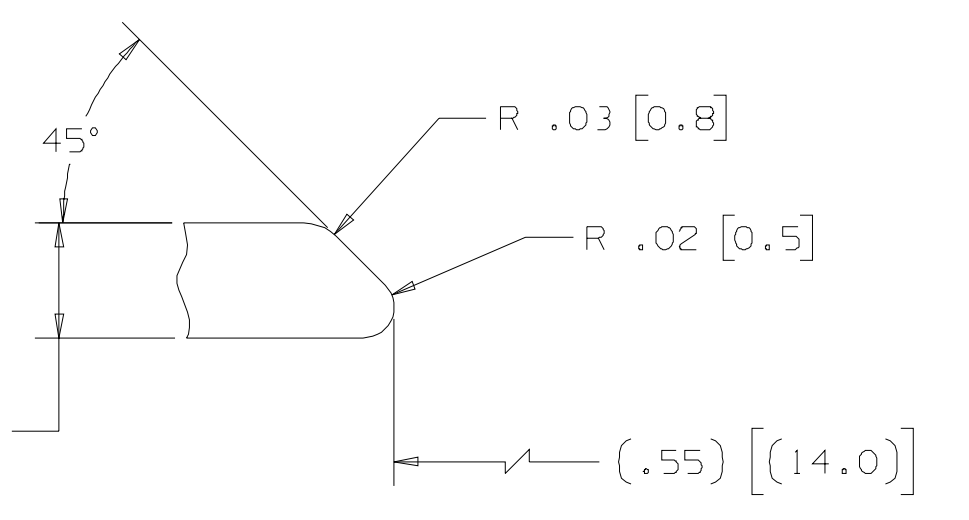
SECTION D-D
SCALE 4/1



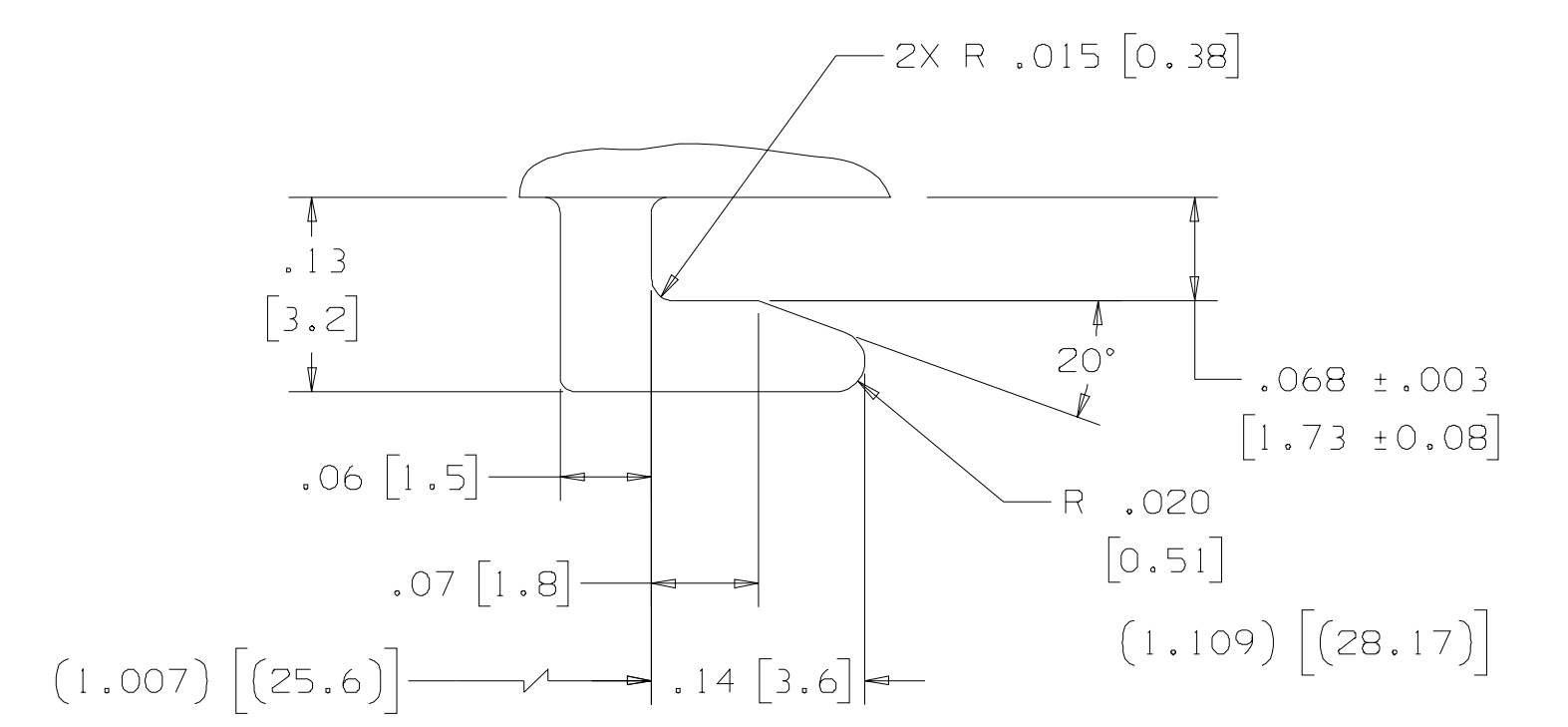
DETAIL A
SCALE 8/1



DETAIL B
SCALE 8/1



DETAIL C
SCALE 8/1



DETAIL A
SCALE 8/1

LSS-SHELF	
LSR-SHELF	
LSC-SHELF	
LST-SHELF	
600B TROUGH	A990H0512
LST1U-072/7	AB7AK1045
USED ON	DRAWING

TITLE	
RETAINER, FIBER JUMPER (WHITE)	
SCALE: 4/1 AND AS NOTED	
OFS	2000 N.E. EXPRESSWAY, NORCROSS, GA. 30071
COMCODE:	B47479268

OFS - PROPRIETARY
Copyright © 2005
FITEL USA, Corp.

847479268

SHEET 1 OF 1
DWG SIZE E