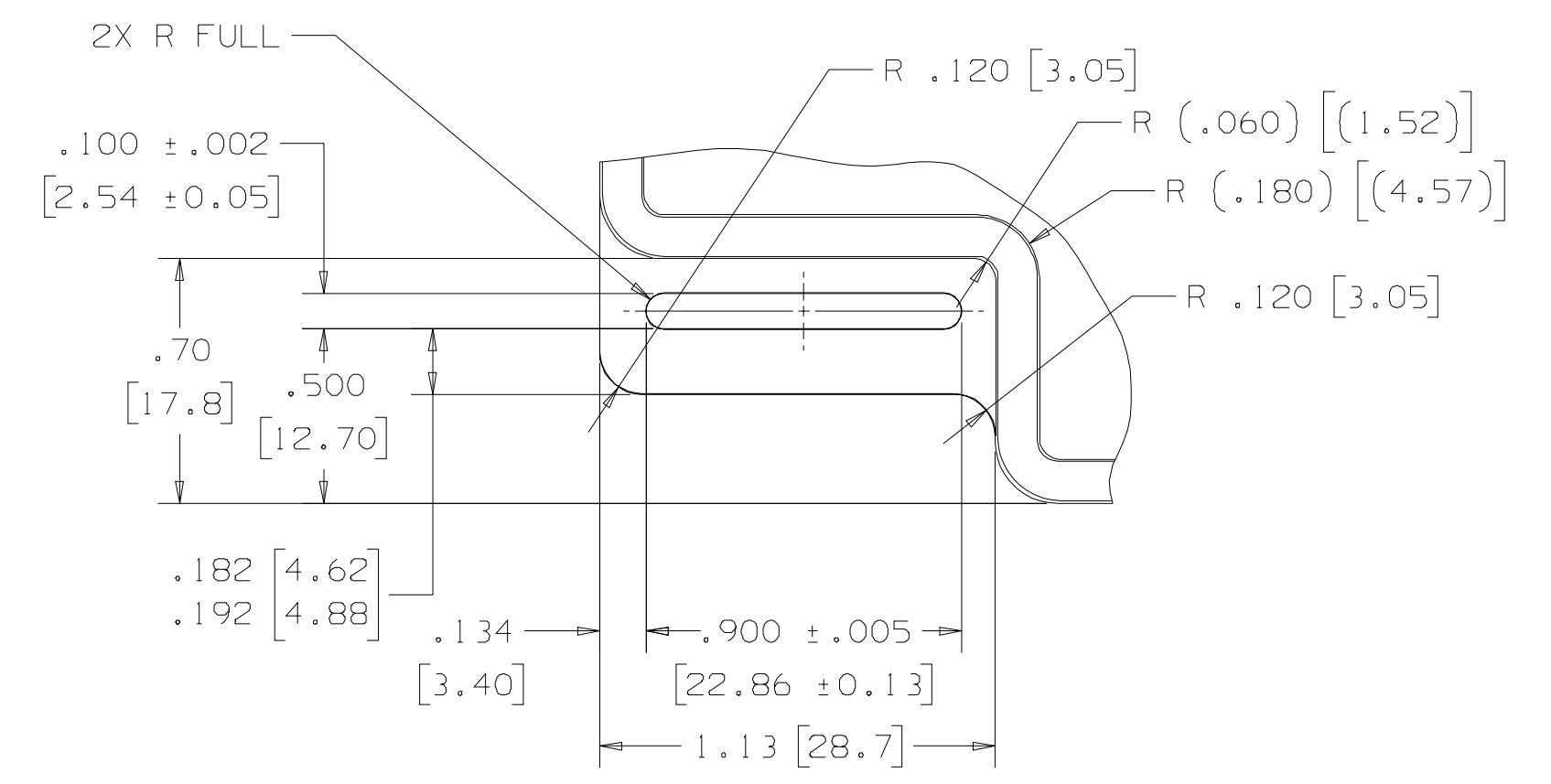
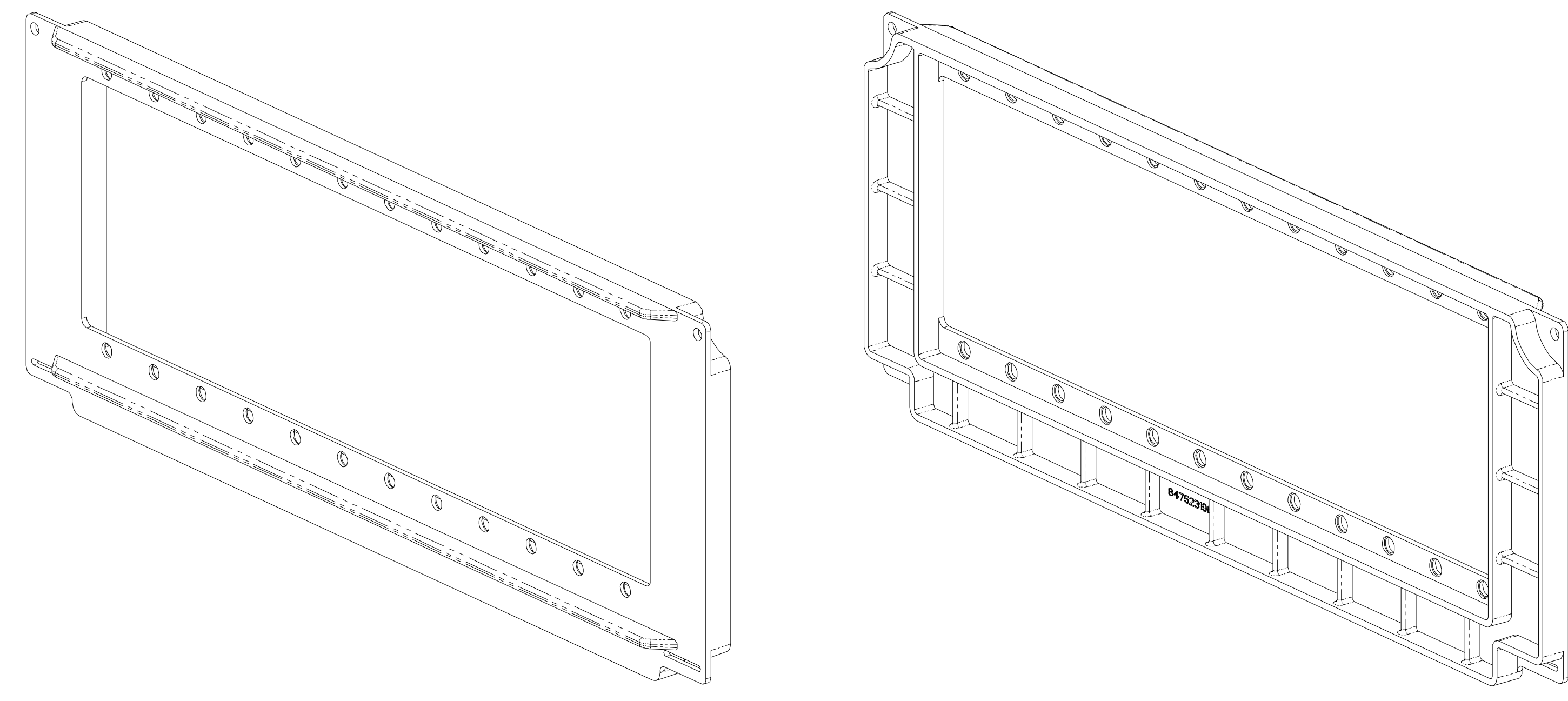


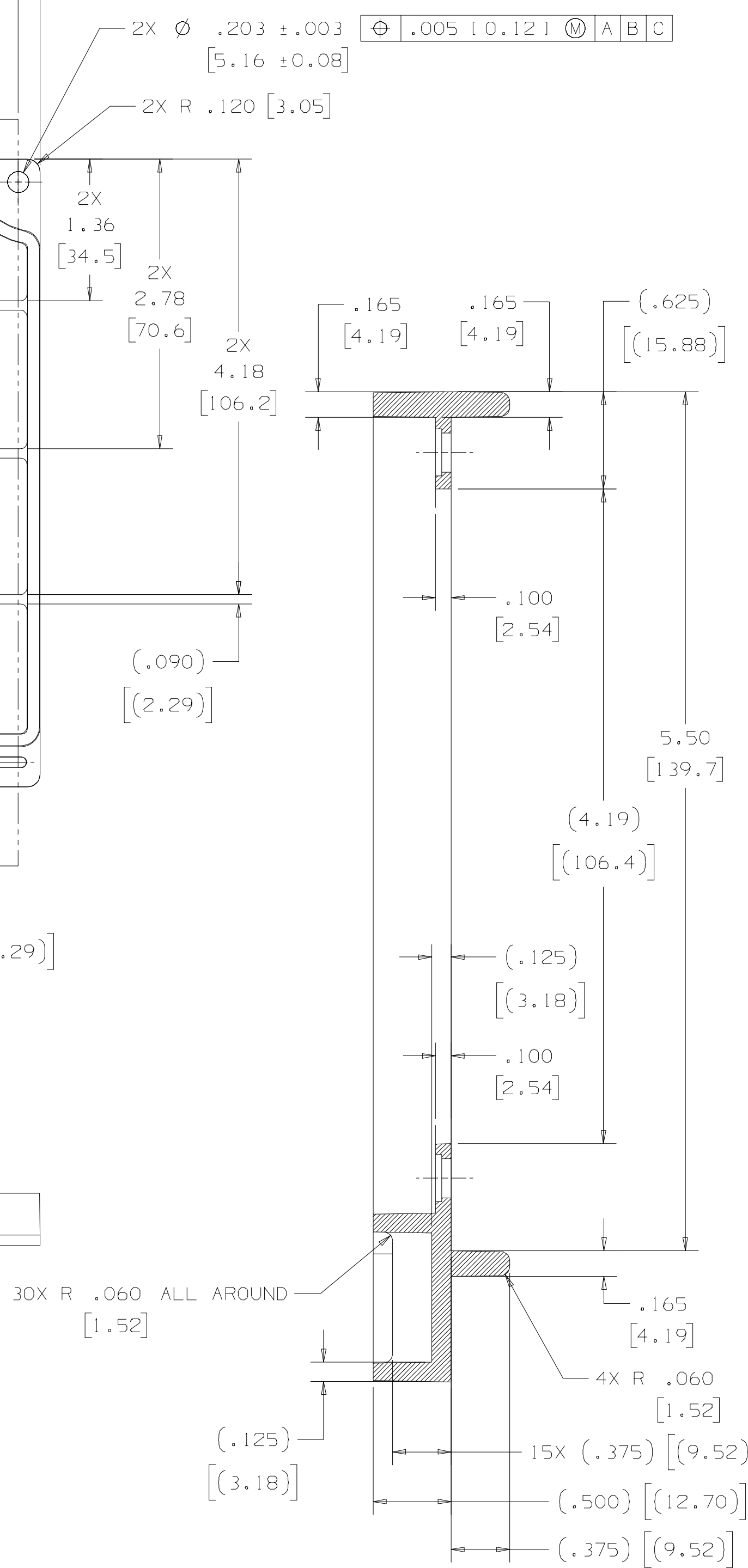
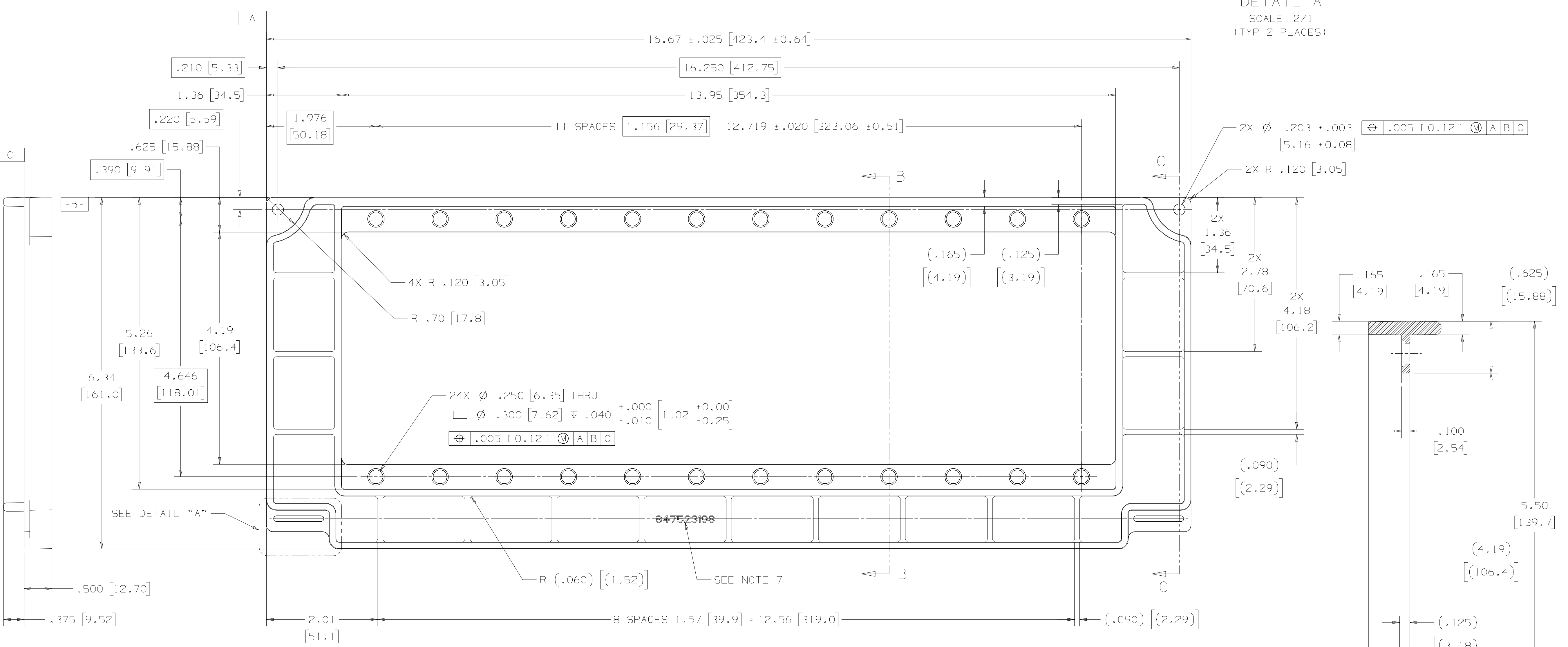
ENGR		
DRWNG		
DATE	03-17-95	ISSUE 1
REDRAWN ON OFS FORMAT WITHOUT GEOM CHANGE; UG WITH SOLID MODEL & ASSY REF SET CREATED.		
03-03-06	COO6AK5108	MF 155: 1
SRA	JAF	JF 7
WCW		

NOTES:

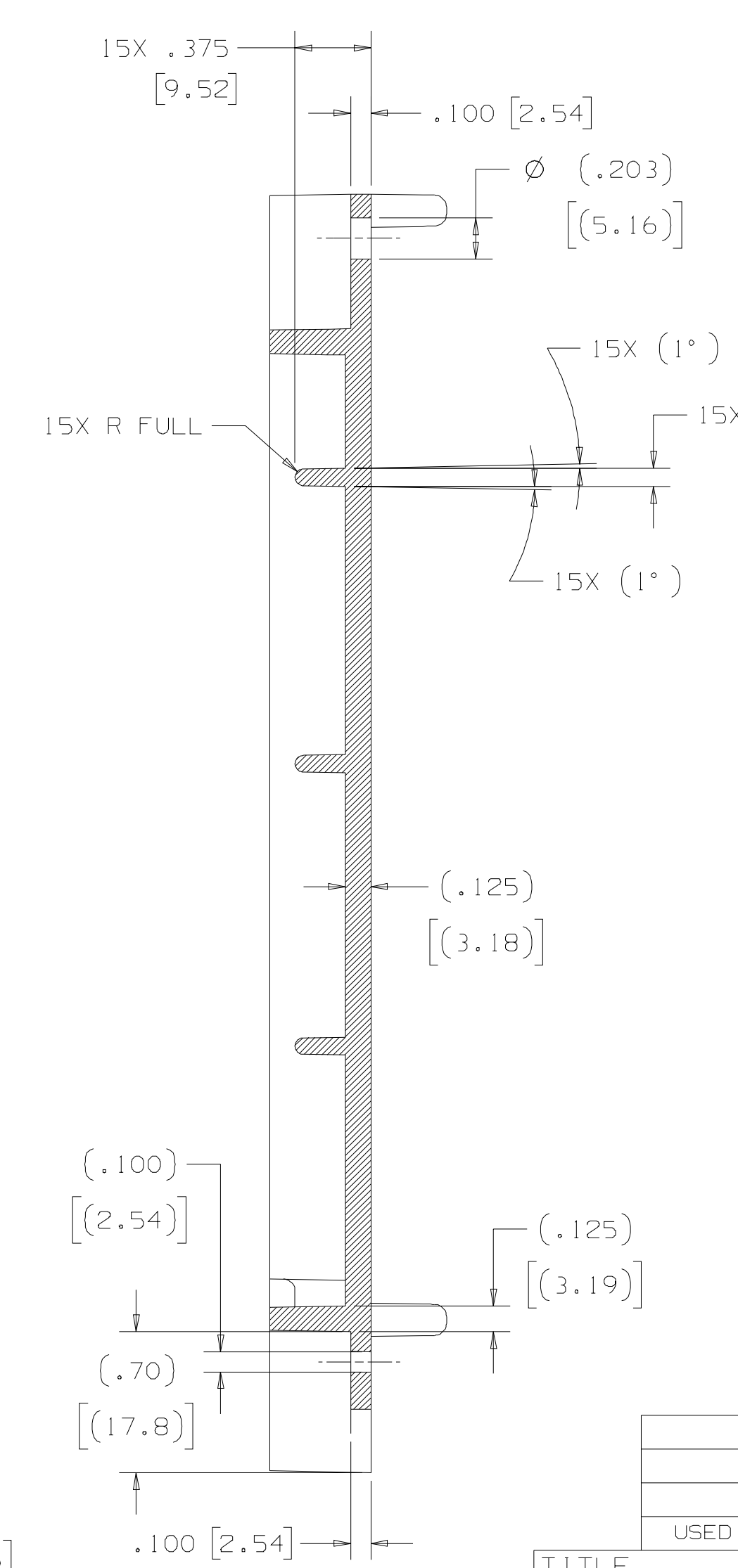
- UNLESS OTHERWISE SPECIFIED, ALL DIMENSIONS ARE IN INCHES. NONLIMITED DIMENSIONS OTHER THAN SIZE OF RAW MATERIAL SHALL BE HELD AS FOLLOWS WHEN EXPRESSED:
TO 2 DECIMAL PLACES ±.02 (0.5) AS ANGLES ±0.5° TO 3 DECIMAL PLACES ±.010 (0.25)
THIS DRAWING HAS BEEN PREPARED IN ACCORDANCE WITH ANSI Y14.5M 1994; DIMENSIONS SHOWN IN BRACKETS () ARE MILLIMETERS AND FOR REFERENCE.
- UNLESS OTHERWISE SPECIFIED, INSIDE CORNER RADIUS SHALL BE R .060 (1.52), AND OUTSIDE CORNER RADIUS SHALL BE R .180 (4.57). UNLESS OTHERWISE SPECIFIED, CORNERS SHOWN AS SHARP MAY BE ROUNDED UP TO R .020 (0.50).
- UNLESS OTHERWISE SPECIFIED, ALL WALL THICKNESSES SHALL BE .125 (3.17).
- UNLESS OTHERWISE SPECIFIED, ONE DEGREE DRAFT IS PERMITTED WHERE REQUIRED. DIMENSIONS AFFECTED BY DRAFT APPLY TO THE SMALLEST END FOR INTERNAL DIMENSIONS, AND TO THE LARGEST END FOR EXTERNAL DIMENSIONS.
- PANEL SHALL BE FLAT AND STRAIGHT WITHIN .050 (1.27) TOTAL.
- PARTS SHALL BE FREE OF FLASH, GATE VESTIGE AND FOREIGN MATERIALS.
- COMCODE SHALL BE MOLDED IN .125 (3.17) HIGH CHARACTERS, RAISED .005-.007 (0.12-0.17). LOCATE APPROXIMATELY AS SHOWN.
- MATERIAL: POLYCARBONATE MOLDING COMPOUND, PER MS 58547, TYPE 7A. COMPOUND SHALL BE FLAME RETARDANT GRADE 94V-0 AND SHALL RESIST CRACKING WHEN EXPOSED TO SOLVENTS.
COLOR: CENTRAL OFFICE WHITE, PER X-SPEC 30001. MAY BE OBTAINED FROM G.E. AS THEIR LEXAN ML 6124, COLOR GEP XS 18719; OR FROM MILES, INC. AS THEIR MAKROLON 6485, COLOR 3599.
- SURFACE FINISH SHALL BE SPE-SPI 3.



DETAIL A
SCALE 2/1
(TYP 2 PLACES)



SECTION B-B
SCALE 3/2



SECTION C-C
SCALE 3/2

USED ON	AB7AK1045
DRAWING	
TITLE	
BULKHEAD, MOLDED, 7-INCH (WHITE)	
SCALE:	
OFS 2000 N.E., EXPRESSWAY, NORCROSS, GA. 30071	
COMCODE: 847523198	

OFS - PROPRIETARY
Copyright © 2006
FITEL USA, Corp.