

847584984

ENGR	---	---
DRAWN	---	---

06-14-95 ISSUE 1

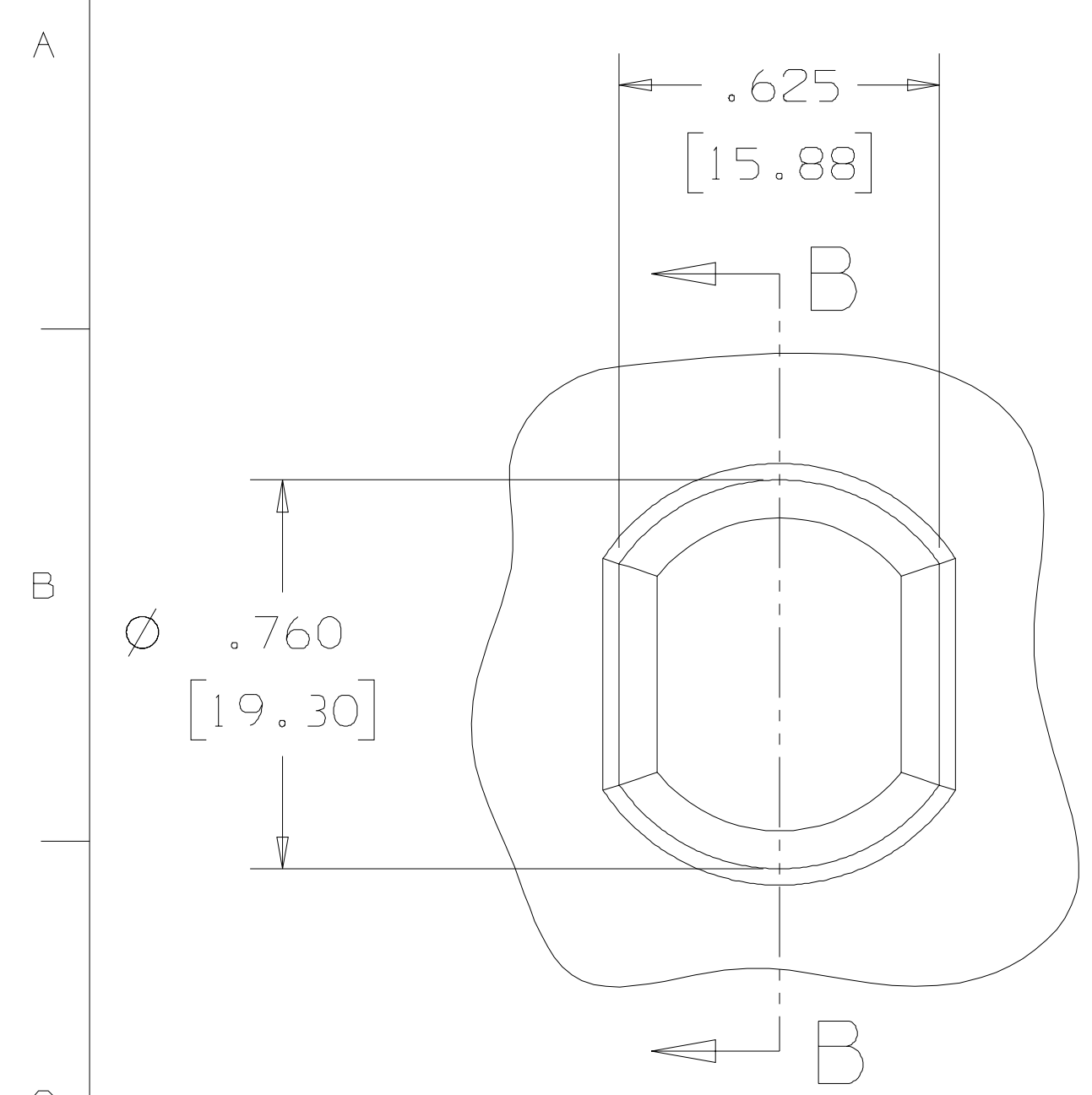
REDRAWN ON OFS FORMAT WITH CHANGES; CORRECTED SOLID MODEL AND ADDED REF SET; REORIENTED DWG VIEWS TO SHOW PRIMARY FEATURES AS SOLID OBJECT LINES.  
 REMVD: PART NO. MARKING REOT.  
 CHNG: MAT'L WAS LEXAN ML-6124, XS-18719 OR MAKROLON 6485, 3599.  
 ADDED: NOTE 8.  
 DELETED: NOTE 6.

11-14-05	CO05AK5042
NP	ISS: 1

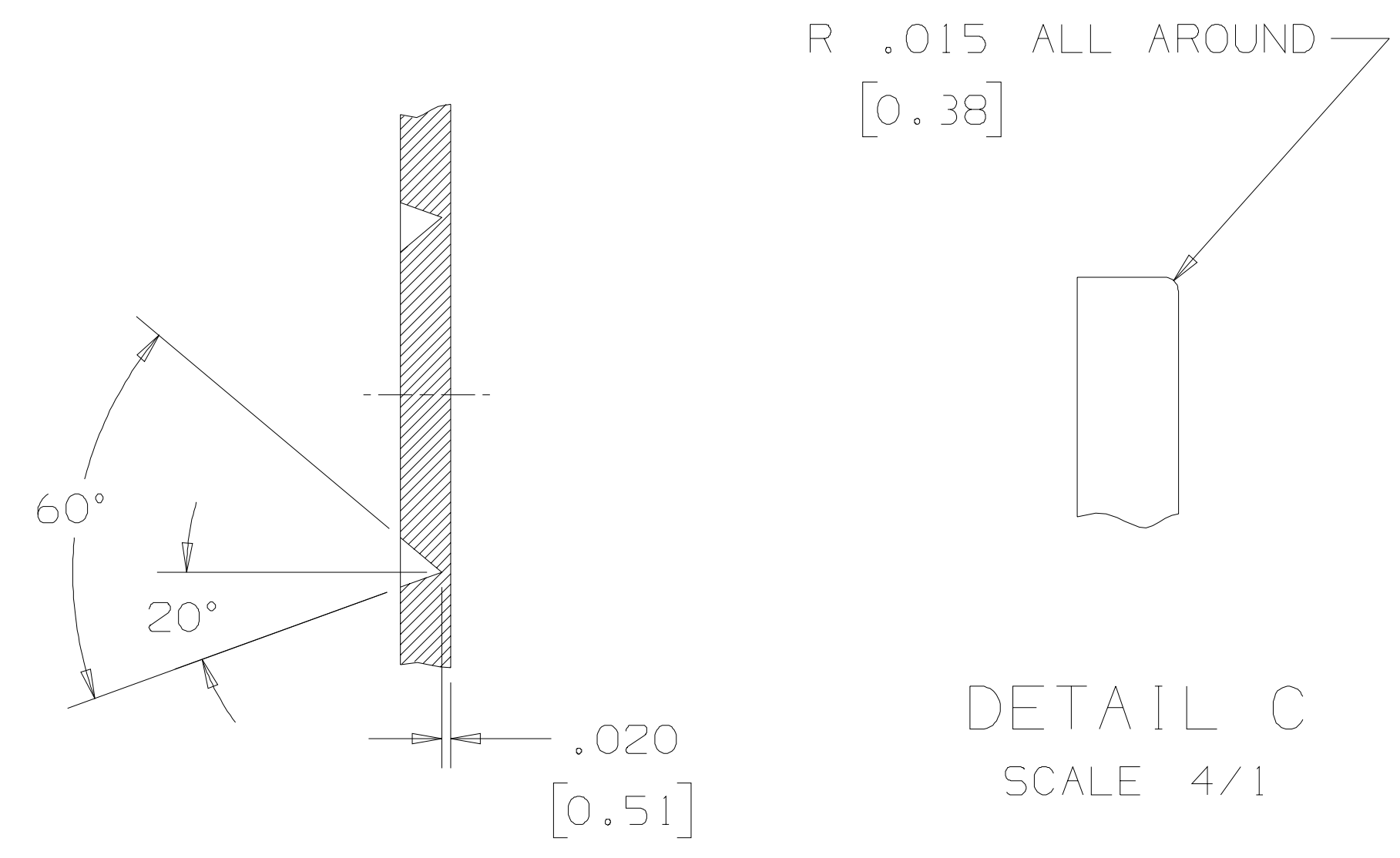
SRA	JCB	4
WCW	WCW	

NOTES:

- UNLESS OTHERWISE SPECIFIED, ALL DIMENSIONS ARE IN INCHES. NONLIMITED DIMENSIONS OTHER THAN SIZE OF RAW MATERIAL SHALL BE HELD AS FOLLOWS WHEN EXPRESSED:  
 TO 2 DECIMAL PLACES ±.02 [0.5] AS ANGLES ± TO 3 DECIMAL PLACES ±.010 [0.25]  
 THIS DRAWING HAS BEEN PREPARED IN ACCORDANCE WITH ANSI Y14.5M - 1994. DIMENSIONS SHOWN IN BRACKETS [ ] ARE MILLIMETERS AND FOR REFERENCE.
- MATERIAL: POLYCARBONATE INJECTION MOLDING COMPOUND, FLAME RETARDANT RATING UL 94 V-0 AT .045 [1.14].  
 COLOR: CENTRAL OFFICE WHITE,  
 L=87.38, A=-0.7, B=3.72  
 MAXIMUM REGRIND: 15%  
 MAY BE OBTAINED FROM G.E. AS LEXAN 945 GY9C009.
- PART SHALL BE FREE OF FLASH, GATE VESTIGE, MOLD RELEASE AND OTHER FOREIGN MATERIAL.
- PART SHALL BE FLAT AND STRAIGHT WITHIN .060 [1.52] TOTAL.
- NO EJECTOR PIN MARKS PERMITTED ON THIS SURFACE.
- ~~PART NUMBER SHALL BE LOCATED APPROXIMATELY AS SHOWN. .125 [3.18] HIGH CHARACTERS, RAISED .003-.005 [0.07-0.12] IN A .003-.005 [0.07-0.12] DEPRESSED FIELD.~~
- THIS SURFACE SHALL HAVE A LIGHT UNIFORM TEXTURED FINISH SO AS TO SIMULATE A PAINTED METAL SURFACE PER OS-11150.
- THIS SURFACE SHALL HAVE A LIGHT TEXTURE EXCEPT AT THE LOCATION OF INSERTS, EJECTOR PINS, OR WITHIN APPROXIMATELY .10 [2.5] OF THE PART EDGE.

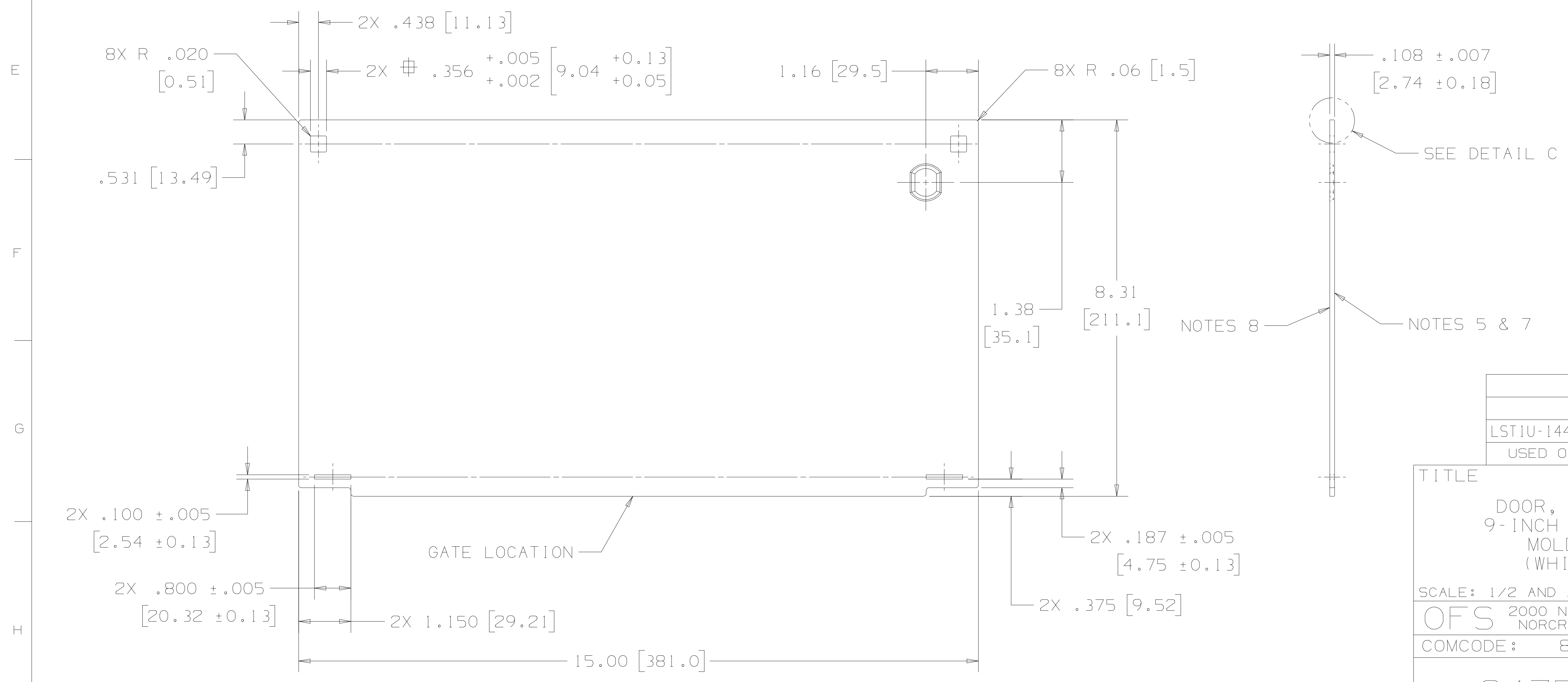


DETAIL A  
SCALE 2/1



SECTION B-B  
SCALE 2/1

DETAIL C  
SCALE 4/1



LSTIU-144/9	A95AK1006
USED ON	DRAWING
TITLE	
DOOR, REAR, 9-INCH SHELF, MOLDED (WHITE)	
SCALE: 1/2 AND AS NOTED	
OFS 2000 N.E. EXPRESSWAY, NORCROSS, GA. 30071	
COMCODE: 847584984	

OFS - PROPRIETARY  
 Copyright © 2005  
 FITEL USA, CORP.

847584984

SHEET	DWG
1 OF 1	SIZE C