

MPO Connector Family

(Multifiber
Push-On)



A Furukawa Company

A Complete High-Density Fiber Optic Connectivity Solution

Product Family Description

OFS offers an extensive line of high-density MPO multifiber connector products, including jumpers, fanouts, pigtails and connectorized cable. When you need a high-performance fiber optic connectivity solution, look to the OFS family of products featuring the MPO Connector.

Low loss single-mode MPO connectors deliver the performance and reliability needed in today's demanding high-speed broadband and data networks. Multimode LaserWave® MPO jumpers and fanouts are designed to support high-speed, short-reach, data center applications.

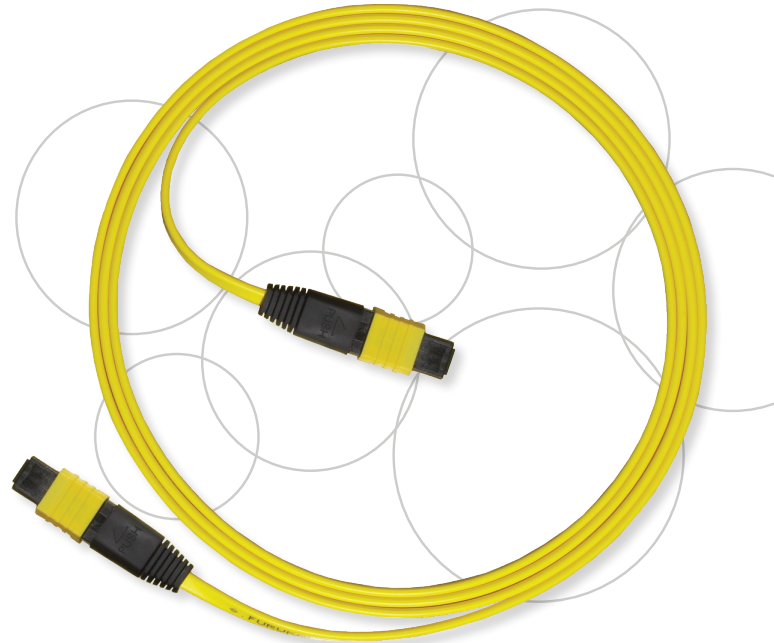
The MPO Connector, with its familiar push-on/pull-off insertion release mechanism, provides consistent and repeatable interconnections with up to 48 fibers in a 0.7" x 0.4" minimum footprint.

The MPO product family is available with 8, 12, 24 and 48 fiber connectors featuring bare ribbon, tight-buffered ribbon and cordage, and includes standard adapters. Alternative fiber counts are available upon request.

Applications:

Reliable high-density interconnections for:

- Equipment Interconnections
- Telecommunications networks
- Broadband/CATV networks
- Data communications networks, including high-bandwidth equipment
- Interconnections for parallel optical transmitters and receivers



Features and Benefits:

Ultra-small and durable fibers, ideal for a variety of installation environments:

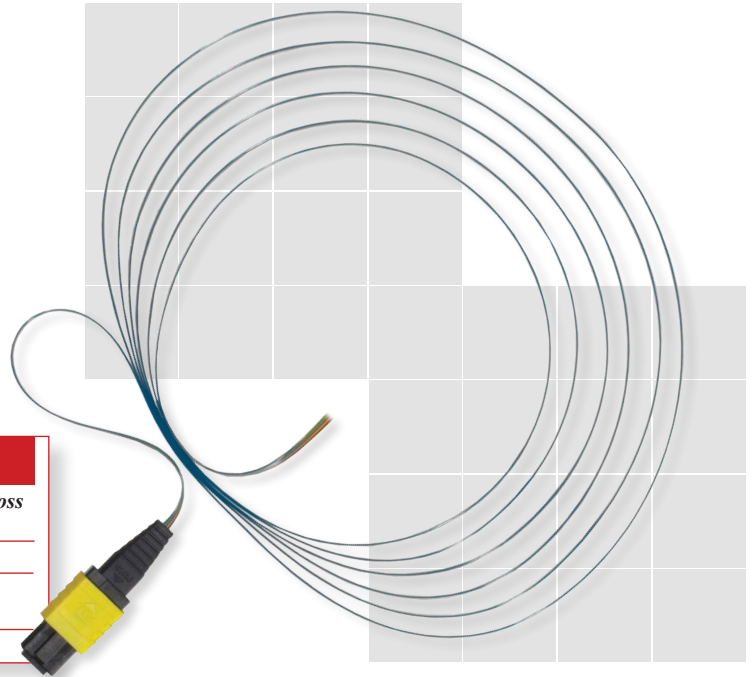
- Reliable high-density, high-performance interconnections
 - Increases fiber density on fiber shelves and faceplates
 - Improves and simplifies fiber routing
 - Decreases fiber management space
- Telcordia GR-1435-CORE tested
- ANSI/TIA/EIA-604-5-199 FOCIS 5 compliant
- Quick and easy connection with push-on/pull-off latching mechanism
- Low insertion loss and reflectance
- High-speed application support
- Solution-based engineering support to meet all fiber routing requirements
 - Assistance for unique designs and configurations
- OEM solutions for special applications

MPO Jumpers & Pigtails

MPO jumpers and pigtails provide high-density connections in a small footprint. Low loss single-mode jumpers deliver superior loss performance for demanding, high-speed applications.

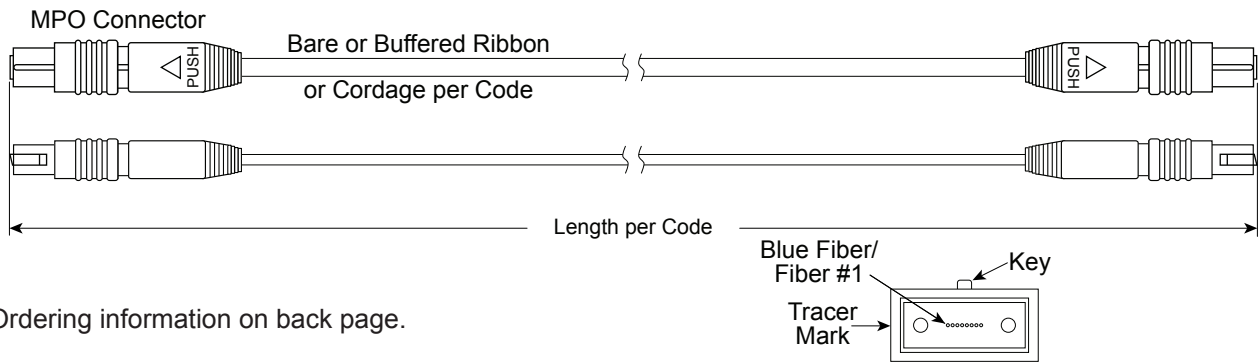
Low-Loss MPO 8-Fiber Jumper

The Low-Loss MPO 8-Fiber Single-Mode Jumper offers the lowest optical insertion loss available today in a multifiber MPO jumper. In fact, the typical insertion loss of 0.16 dB equals that of many single fiber connectors.



MPO Jumper Specifications:

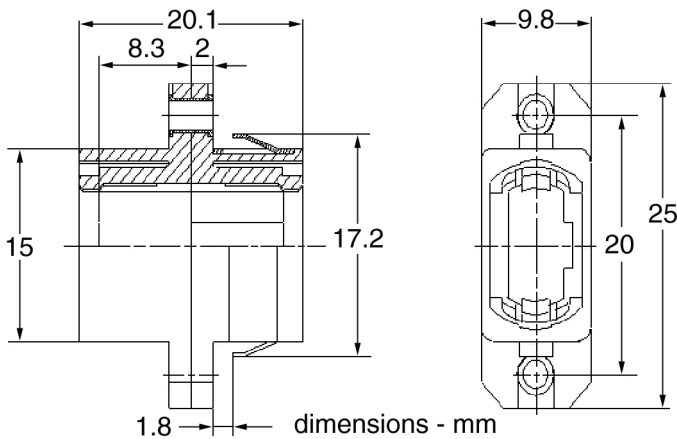
Connector Type	Ferrule/Polish	Loss (Typical)	Loss (Max)	Return Loss (Min)
MPO	Single-Mode APC	0.20 dB	0.75 dB	50 dB
MPO	Single-Mode Low Loss 8-Fiber APC	0.16 dB	0.35 dB	55 dB
MPO	Multimode PC	0.10 dB	0.50 dB	20 dB



Note: Ordering information on back page.

MPO Adapters

OFS offers standard MPO Adapters, packaged individually or in bulk quantities of 100.



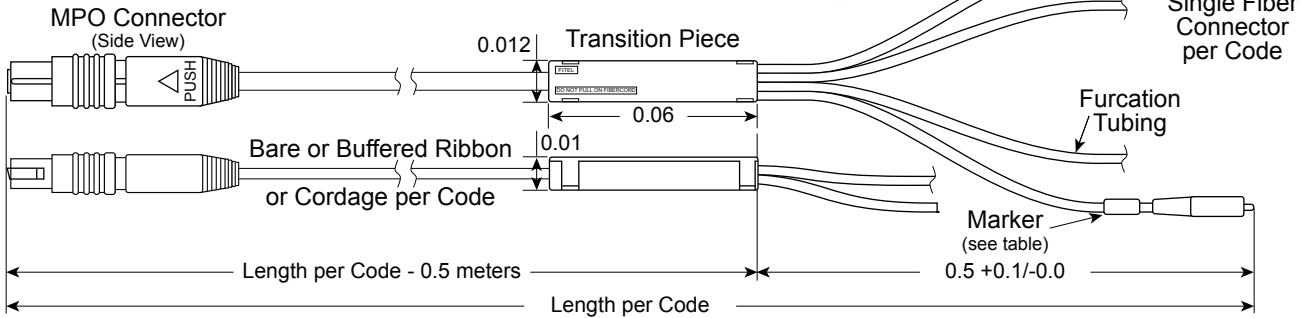
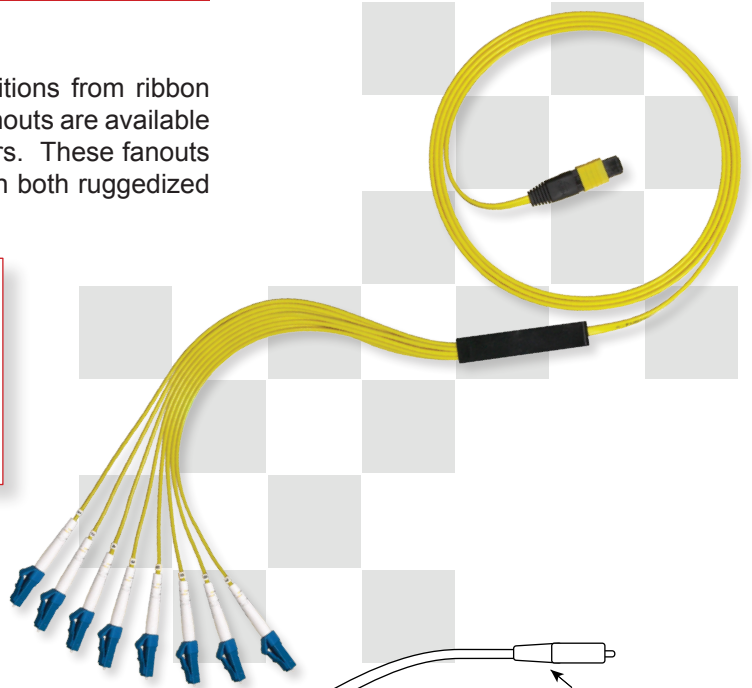
MPO Adapter Ordering Information:

Description	Comcode
MPO Adapter	300467073

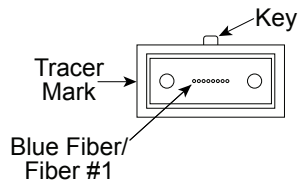
MPO Fanouts

OFS MPO fanouts provide dependable, high-quality transitions from ribbon fibers or cables to individual fiber connection ports. MPO fanouts are available with up to 12 fibers featuring FC, SC, ST and LC connectors. These fanouts offer low insertion loss and reflectance, and are available in both ruggedized and bare ribbon formats.

MPO Fanout Specifications:				
Connector Type	Ferrule/Polish	Loss (Typical)	Loss (Max)	Return Loss (Min)
MPO	Single-Mode Low Loss APC	0.16 dB	0.35 dB	55 dB
Single Fiber	Single-Mode UPC	0.20 dB	0.50 dB	55 dB
Single Fiber	Single-Mode APC	0.30 dB	0.50 dB	65 dB



Fiber Number (wire marker)	Color	Fiber Number (wire marker)	Color
1	Blue	7	Red
2	Orange	8	Black
3	Green	9	Yellow
4	Brown	10	Violet
5	Slate	11	Rose
6	White	12	Aqua



Note: In multi-ribbon cables, each ribbon is individually numbered.

Note: Ordering information on back page.

MPO Jumper, Pigtail and Fanout Ordering Information

Examples: **MPO12PU-21-RCM0X-2.5M** – MPO, 12 fiber, No pins (female), polish: APC, # of connectors: 2, standard patchcord (1), bare ribbon cordage, fiber: MM – 50/125 [OM2], overall length: 2.5 meters

MPO8PA/MPO8NU-2X-RCWBK-12F – Conn A: MPO, 8 fiber, Pins (male), polish: APC, Conn B: MPO, 8 fiber, No pins (female), polish: PC, # of connectors: 2, hybrid patchcord (X), ribbon cordage PVC tight buffered, fiber: SM - AllWave *FLEX+* [G657.A2], overall length: 12 feet

MTP12PU/LCU-91-MPWPY-0.5/5M – Conn A: MTP, 12 fiber, Pins (male), polish: UPC, Conn B: LC, polish: UPC, 0.9 mm furcation, standard patchcord (1), MiniPack plenum cordage, fiber: SM - AllWave *FLEX+* [G657.A2], breakout length: 0.5 meter overall length (tip-to-tip): 5 meters

*SMART Code syntax below has spaces between field sets for visibility.
Actual SMART Code should not include any spacing.*

Syntax: aaa bb c d / aaa bb c d - e f - gg h i j - lll / nnn u

Connectors

MPO
MT
MTP
MPX
LC
SC
ST
FC
UNC

bb - Fiber Count
8, 12, 24 or 48

c - Gender
P = Pins (male)
N = No pins (female)

d - Polish
U = Flat Polish
A = Angle Polish (8°)

e - Design
1 = Multifiber pigtail
2 = Multifiber jumper or 2.0 mm Fanout
9 = 0.9 mm Fanout

f - Assembly Type
1 = pigtail, jumper with same ends (ex. MPO12PU-MPO12NU), hybrid (multifiber to fanout [ex. MPO8NA-LCU])
X = different multi-fiber connectors (ex. MT12PU-MPONU)

gg - Cordage*
RC = Flat Ribbon Cable
MP = M-Pack® Interconnect Cordage
AP = AccuPack™ Distribution Cable
AI = AccuPack Indoor/Outdoor Cable

h - Fiber Type
W = AllWave® *FLEX+* (G.657.A2)
L = Multimode - 62.5/125 [OM1]
M = Multimode - 50/125 [OM2]
Z = LaserWave 300 [OM3]
F = LaserWave 550 [OM4]

i - Jacket Type*
O = Bare Ribbon
R = Riser
P = Plenum
H = LSZH IEC 60332-3C

j - Jacket Color
X = Bare Ribbon (no color)
O = Orange (50 μm & 62.5 μm Multimode Fiber)
S = Slate (Optional color 62.5 Multimode)
W = White (EZ-Bend Fiber)
K = Black (Indoor/Outdoor Cordage Fiber)
Y = Yellow (AllWave *FLEX+* Fiber)
A = Aqua (LaserWave 150 G+, 300, 550 Fiber)

lll - Breakout Length
If a hybrid (multifiber to single connector [LC, SC, etc]), **lll** is the breakout length. Standard offering is 0.5 m. Max: 3 m.
If pigtail or multifiber-to-multifiber jumper, omit.

nnn - Length
001 - 999

u - Unit Of Measure
M = Meters (Min. 1 m)
C = Centimeters (Min. 15 cm simplex/45 cm duplex)
F = Feet (Min. 1 ft)
I = Inches (Min. 6 in. simplex/18 in. duplex)

* Available jacket types are based on the chosen cordage (or vice versa). See table below for determination of cordage/jacket type.

		Jacket Type			
		Riser	Plenum	LSZH	None
Cordage	RC (bare)	N/A			O
	RC (jacketed)	R	P	H	N/A
	MP				
	AP				
	AI	N/A		H	

FOR ADDITIONAL INFORMATION PLEASE CONTACT YOUR SALES REPRESENTATIVE.

You can also visit our website at www.ofsoptics.com or call 1-888-fiberhelp (1-888-342-3743) from inside the USA or 1-770-798-5555 from outside the USA.



MTP is a registered trademark of US Connecc
AllWave, EZ-Bend, LaserWave and M-Pack are registered trademarks and AccuPack is a trademark of OFS Fitel, LLC.

OFS reserves the right to make changes to the prices and product(s) described in this document at any time without notice.

This document is for informational purposes only and is not intended to modify or supplement any OFS warranties or specifications relating to any of its products or services.

Copyright © 2013 OFS Fitel, LLC.
All rights reserved.

OFS
Marketing Communications
fap-219-0413



A Furukawa Company