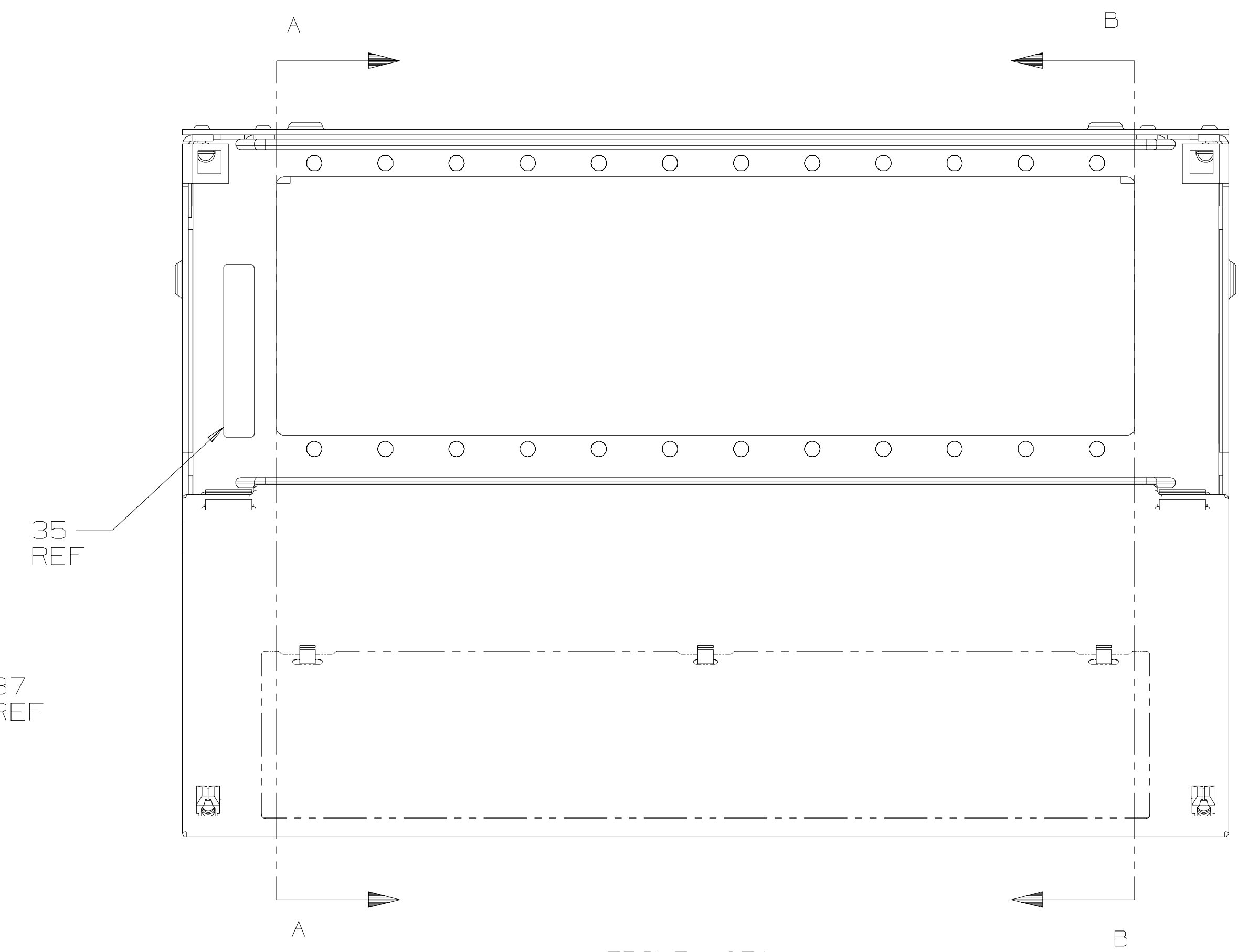
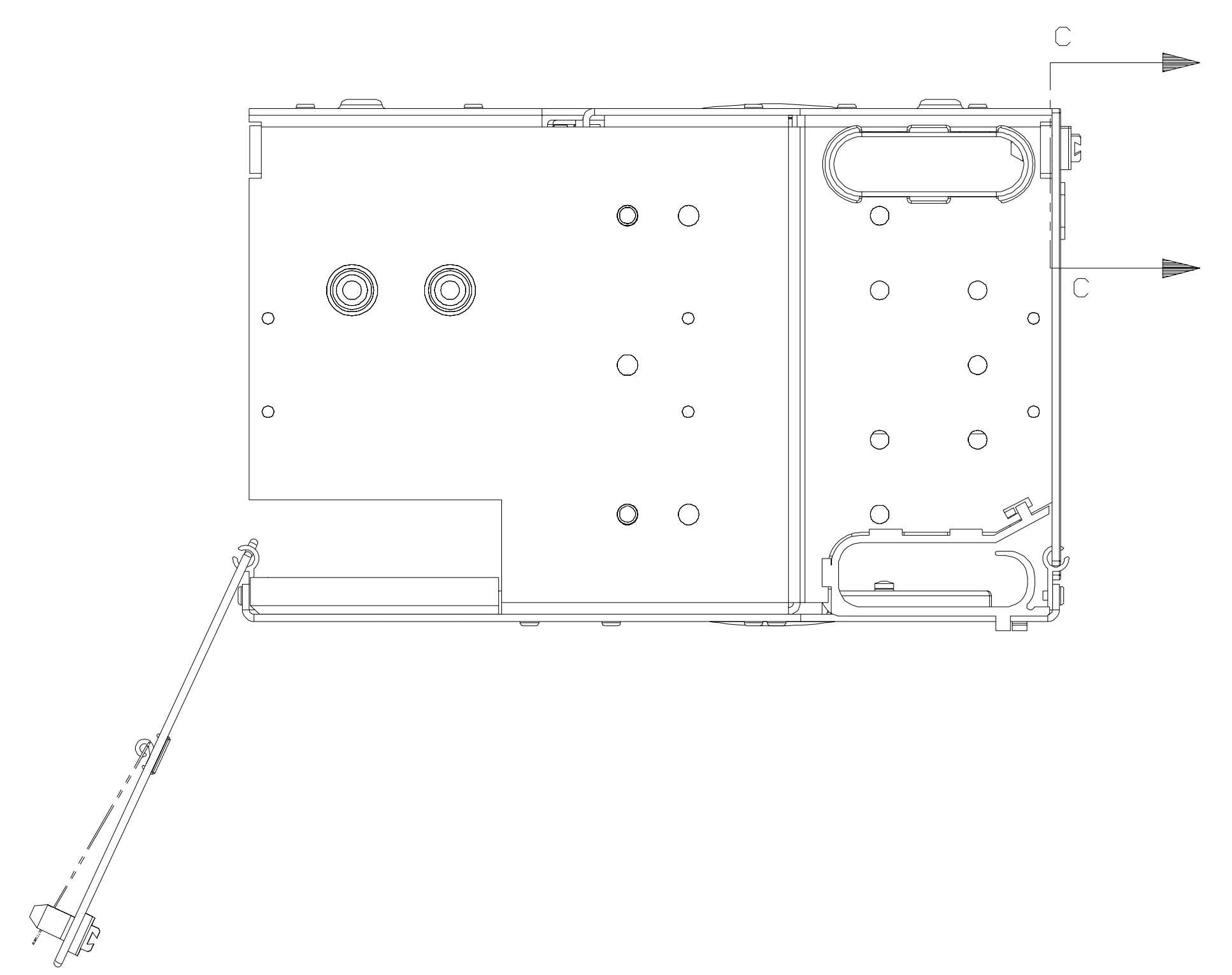


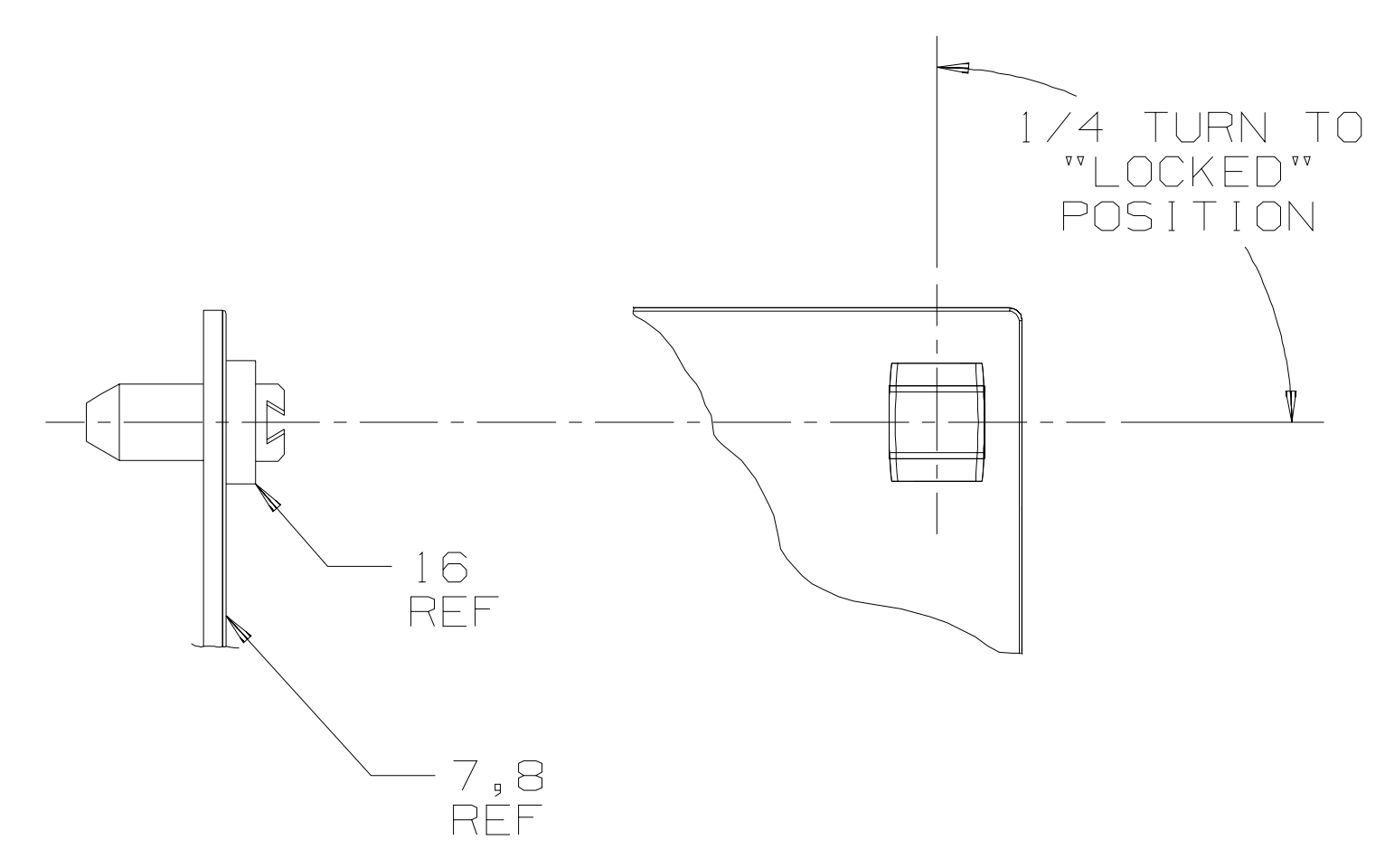
SECTION A-A  
 LOCATE LABELS  
 APPROXIMATELY WHERE SHOWN



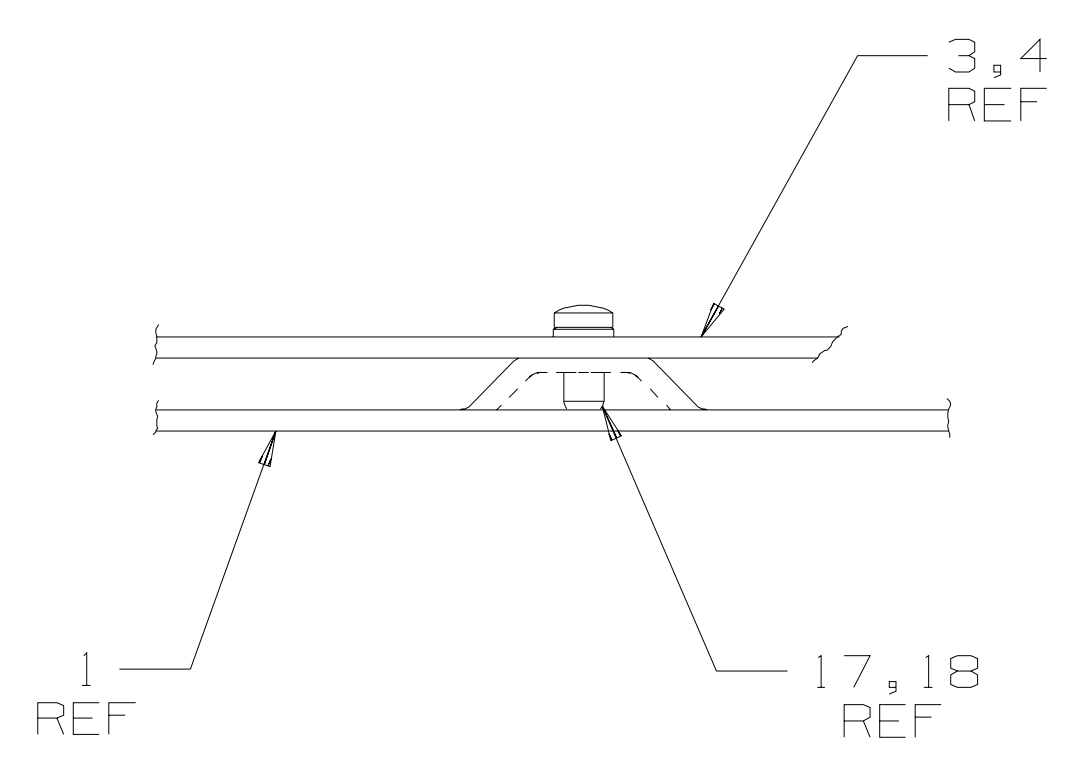
FRONT VIEW  
 \*SHIPPED LOOSE\* PARTS NOT SHOWN



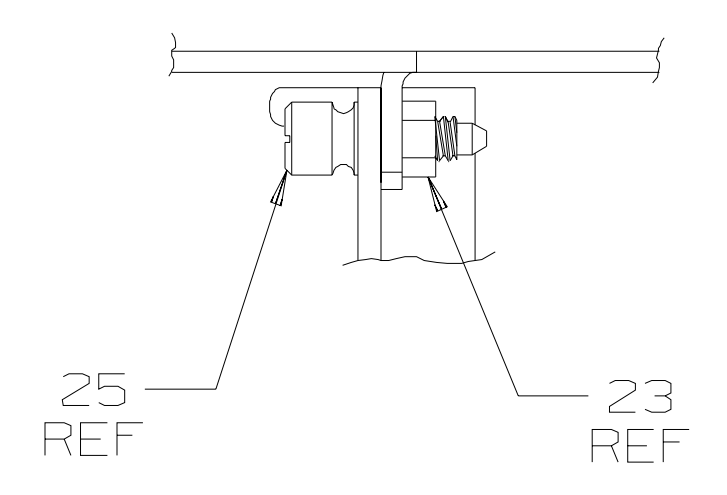
SECTION B-B  
 LOCATE LABELS  
 APPROXIMATELY WHERE SHOWN



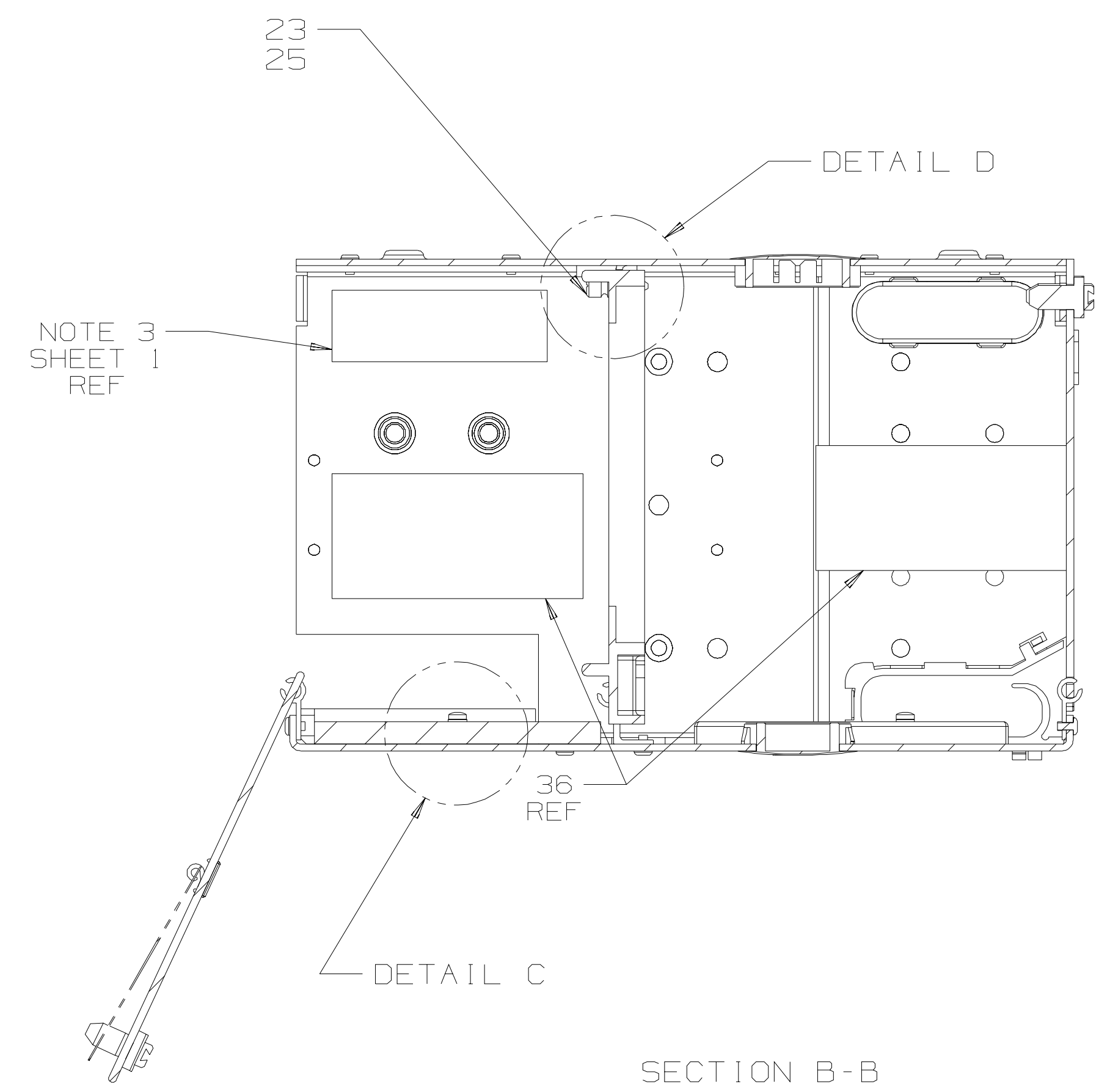
SECTION C-C



DETAIL C



DETAIL D



NOTE 3  
 SHEET 1  
 REF

USED ON	DRAWING
LUCENT PROPRIETARY USE PURSUANT TO COMPANY INSTRUCTIONS	
APPARATUS-EQUIPMENT	
AVLST1U-072/7 LG TERMINATION SHELF, (AVAYA)	
SCALE 1/2	
LUCENT TECHNOLOGIES INC.	
BELL LABORATORIES	