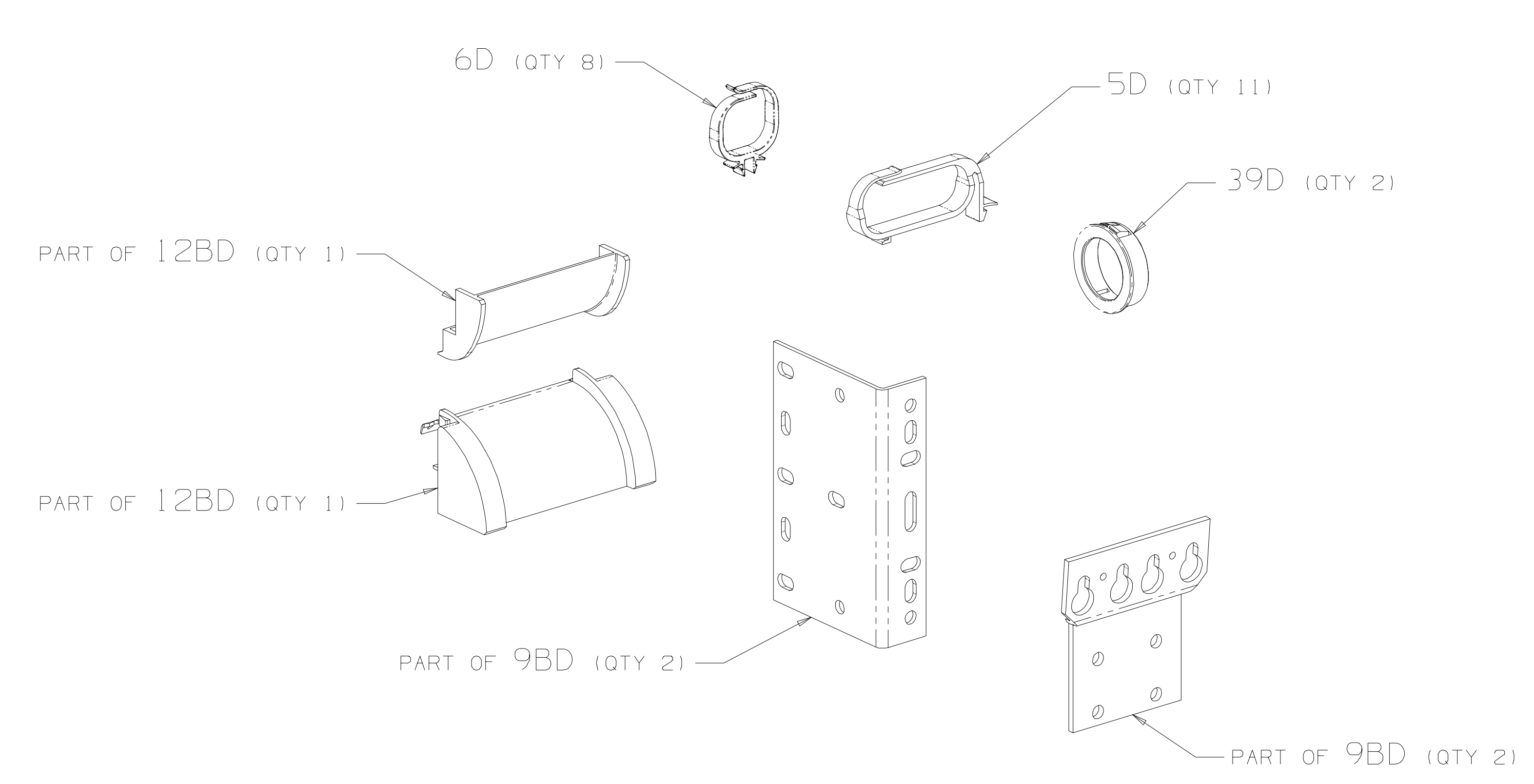
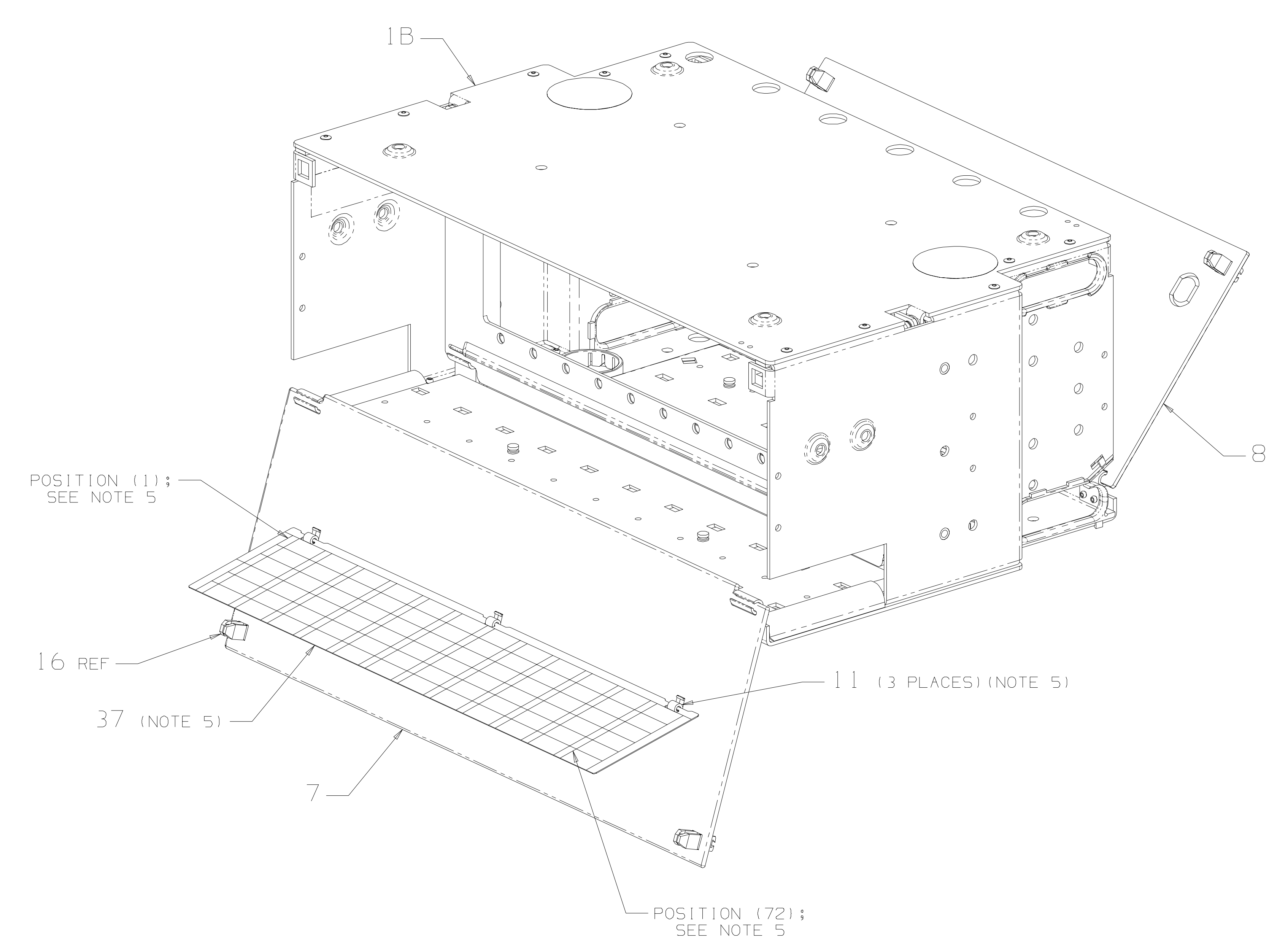


A87AK1045

ENGR	---	---	---
DRAWN	---	---	---
07-17-87 ISSUE 1			
CHNG: SEE SHEET 1.			
03-03-06	COO5AK5108	MF	ISS: 1
SRA	WCW	JAF	JF 32
CHNG: SEE SHEET 1.			
04-12-06	COO5AK5108	MF	ISS: 1
SRA	WCW	JAF	JF 33



LOOSE PARTS  
(SEE NOTE 2)



TITLE  
ASSEMBLY,  
TERMINATION SHELF,  
7-INCH (WHITE)

SCALE: 1/2

OFS 2000 N.E. EXPRESSWAY,  
NORCROSS, GA. 30071

COMCODE: SEE SHEET 1

OFS - PROPRIETARY  
Copyright © 2005  
OFS FITEL, CORP.

A87AK1045

SHEET  
2 OF 4

DWG  
SIZE  
D