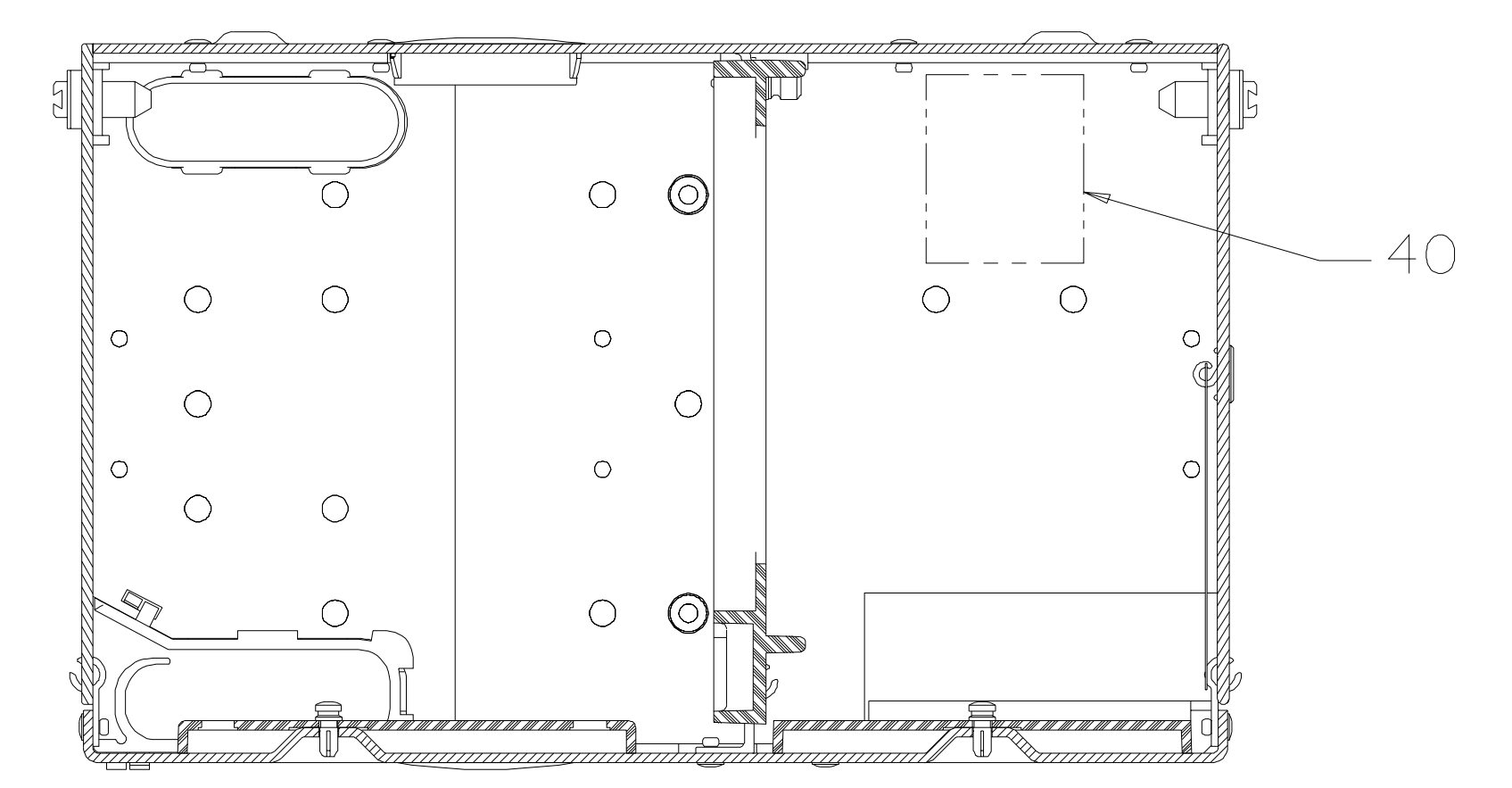
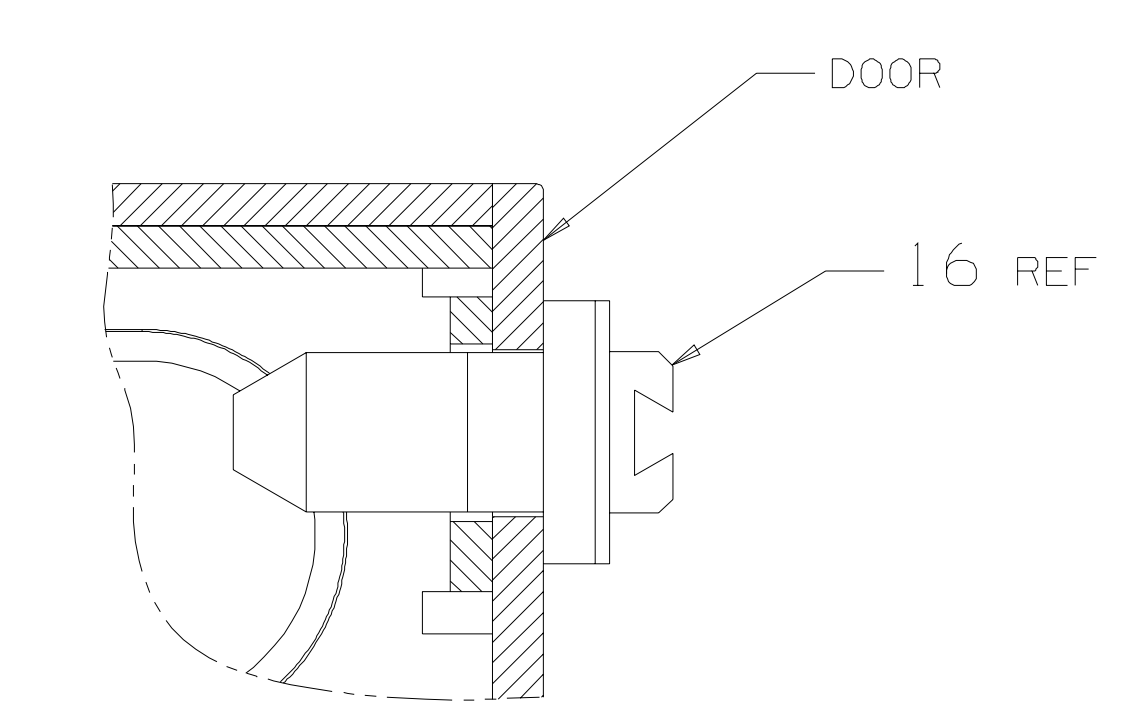


A87AK1045

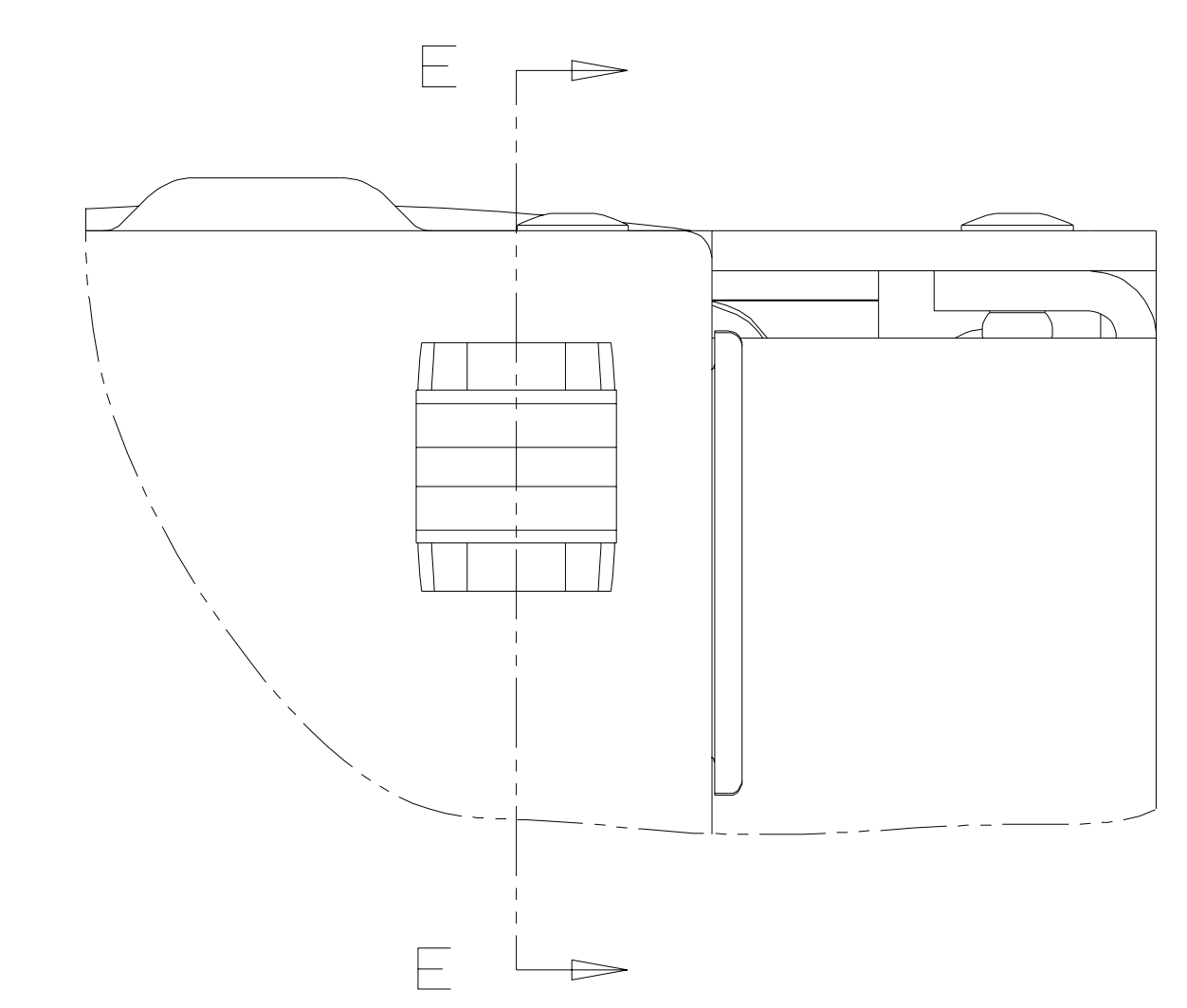
ENGR			
DRAWN			
07-17-87 ISSUE 1			
CHNG: SEE SHEET 1.			
03-03-06	COO5AK5108	MF	ISS: 1
SRA	JAF	JF	32
CHNG: SEE SHEET 1.			
04-12-06	COO5AK5108	MF	ISS: 1
SRA	JAF	JF	33



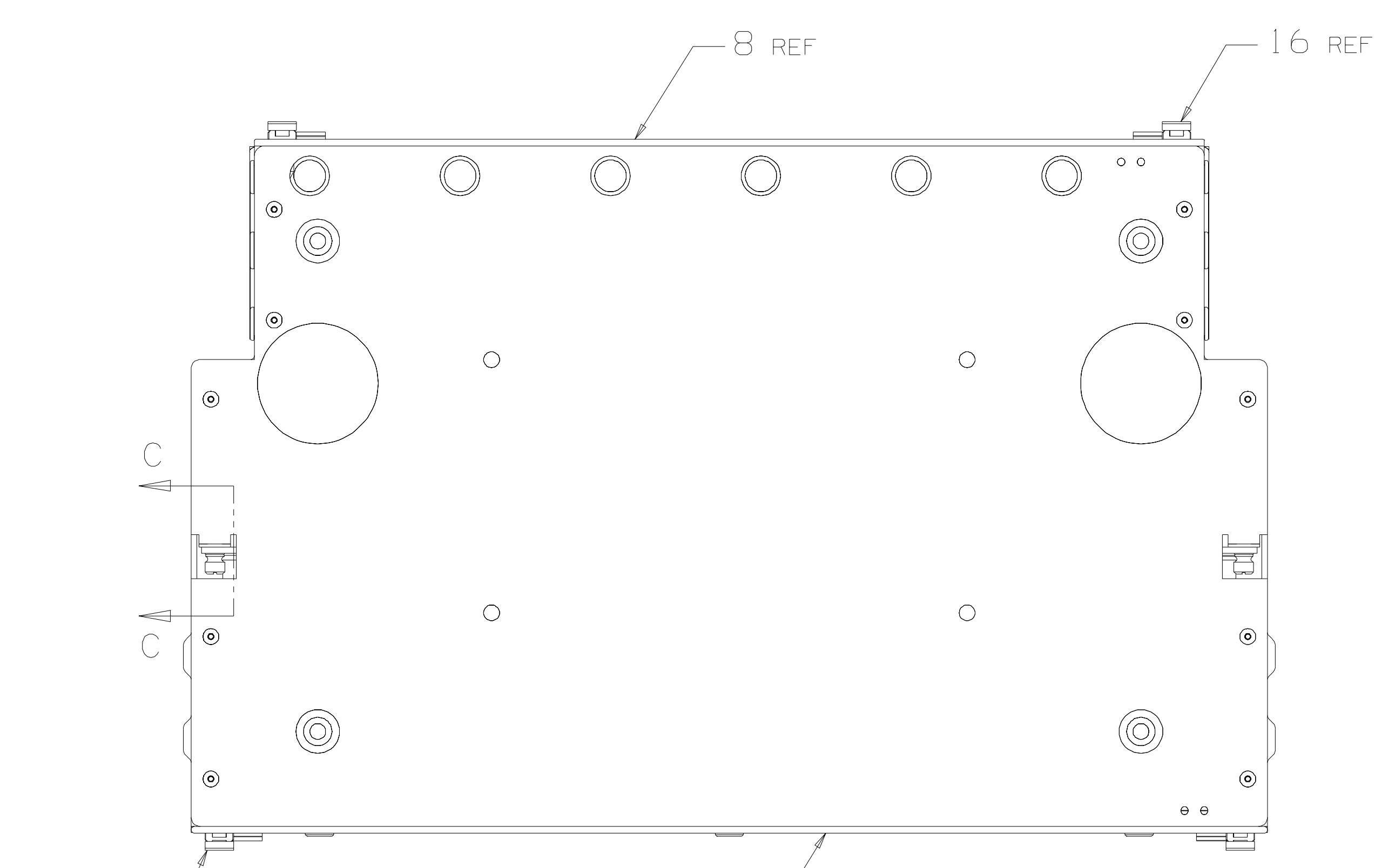
SECTION B-B



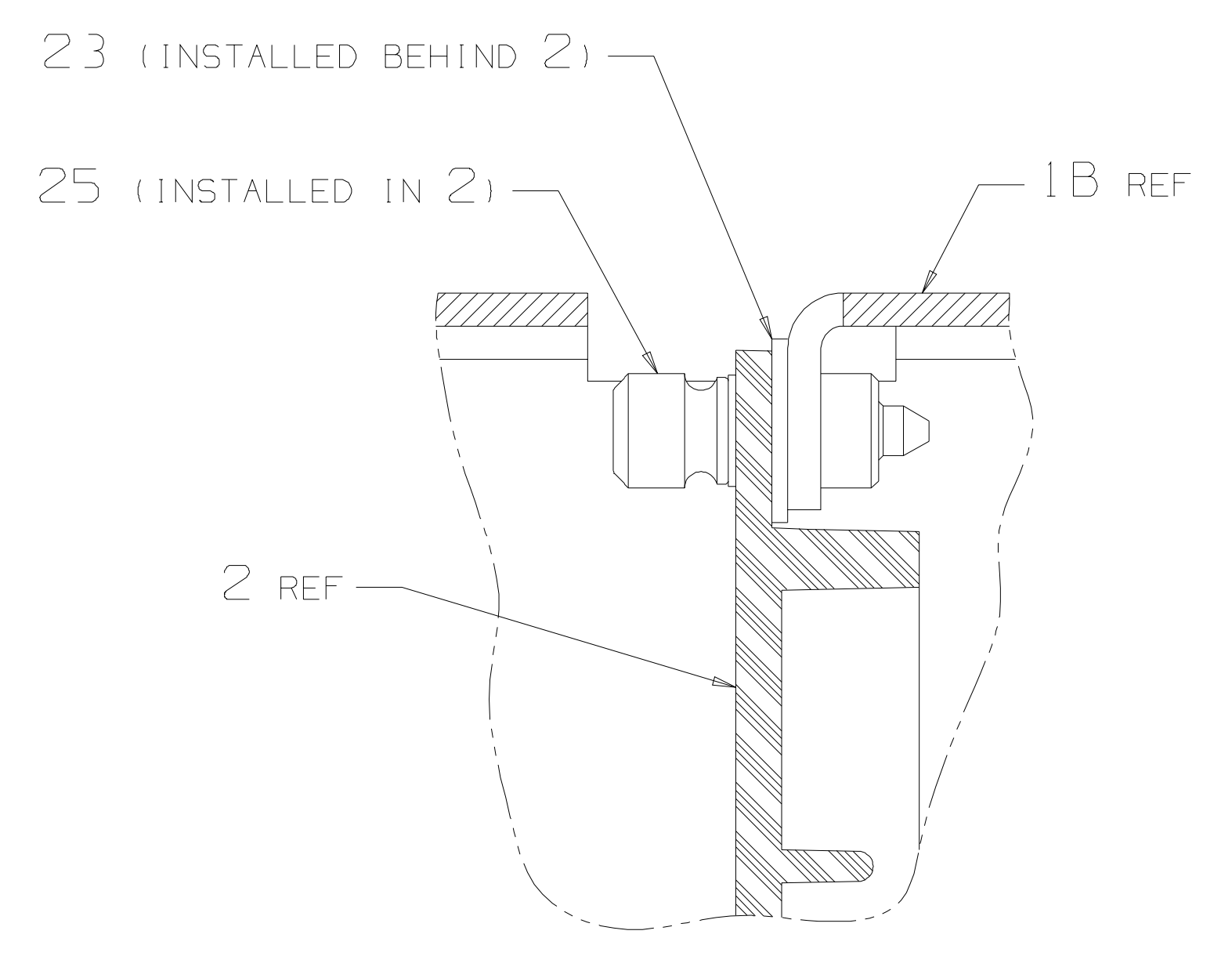
SECTION E-E  
SCALE 2/1



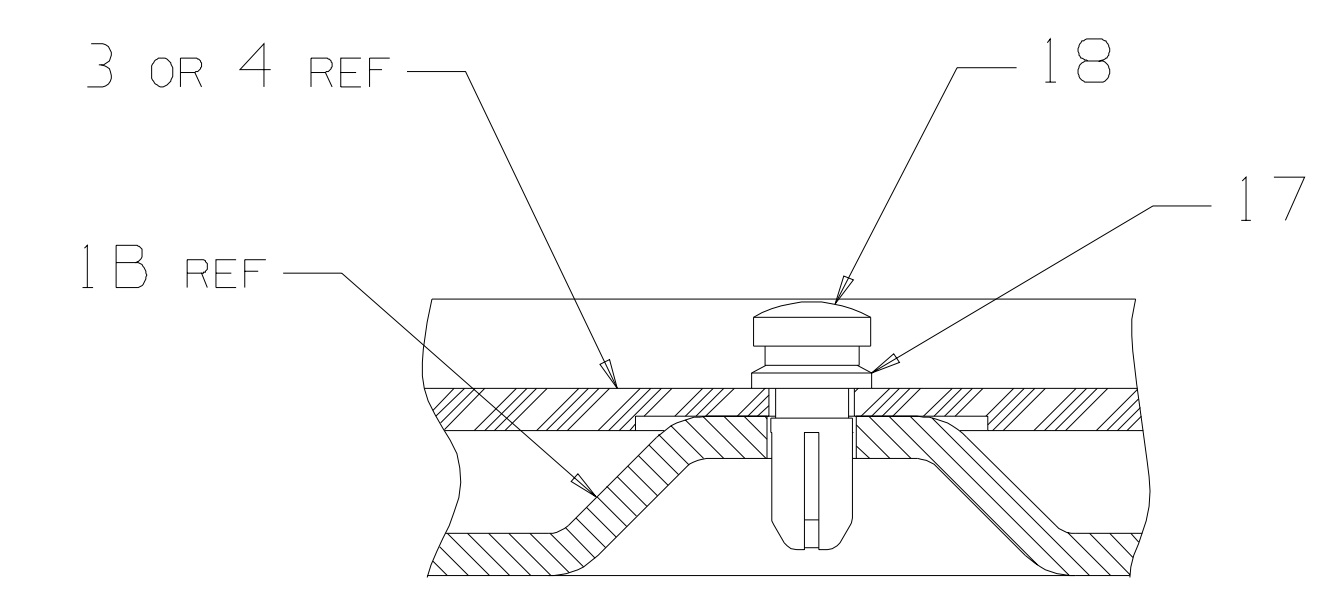
VIEW D-D  
(PARTIAL)  
SCALE 2/1  
(TYPICAL 4 PLACES)



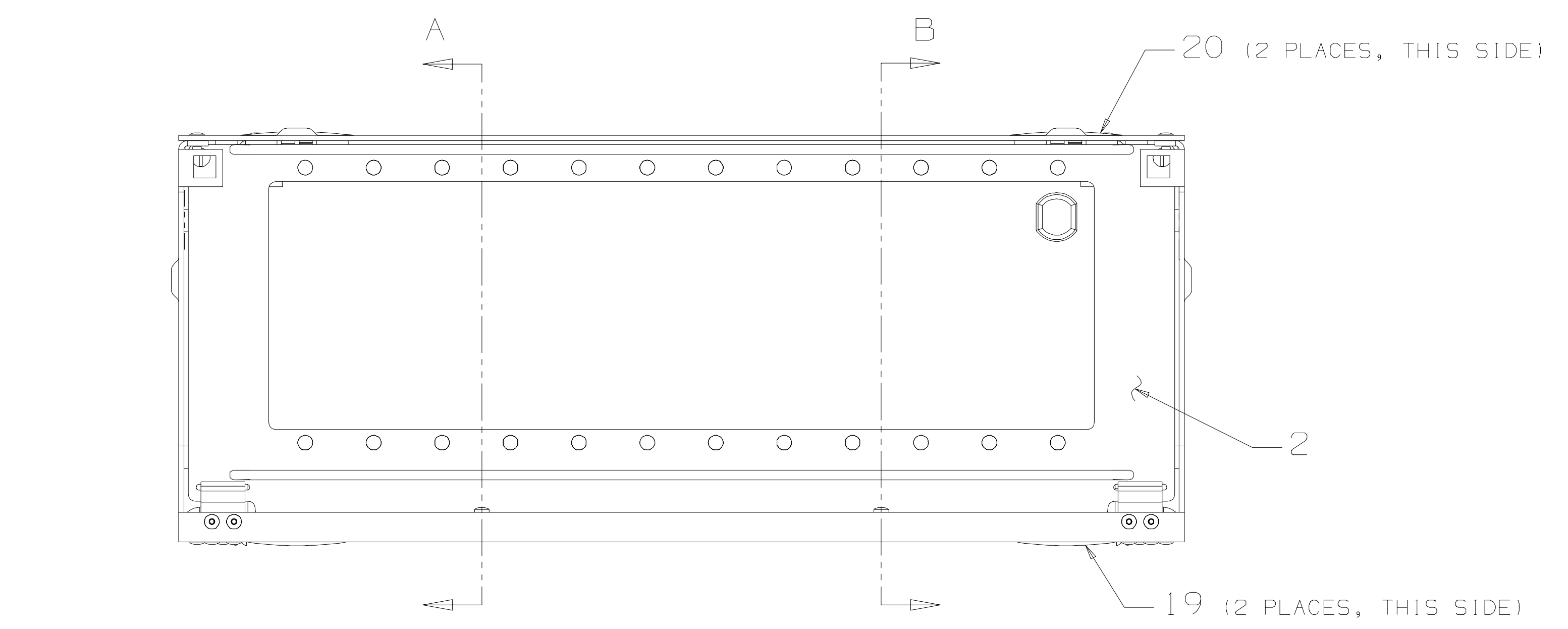
TOP VIEW



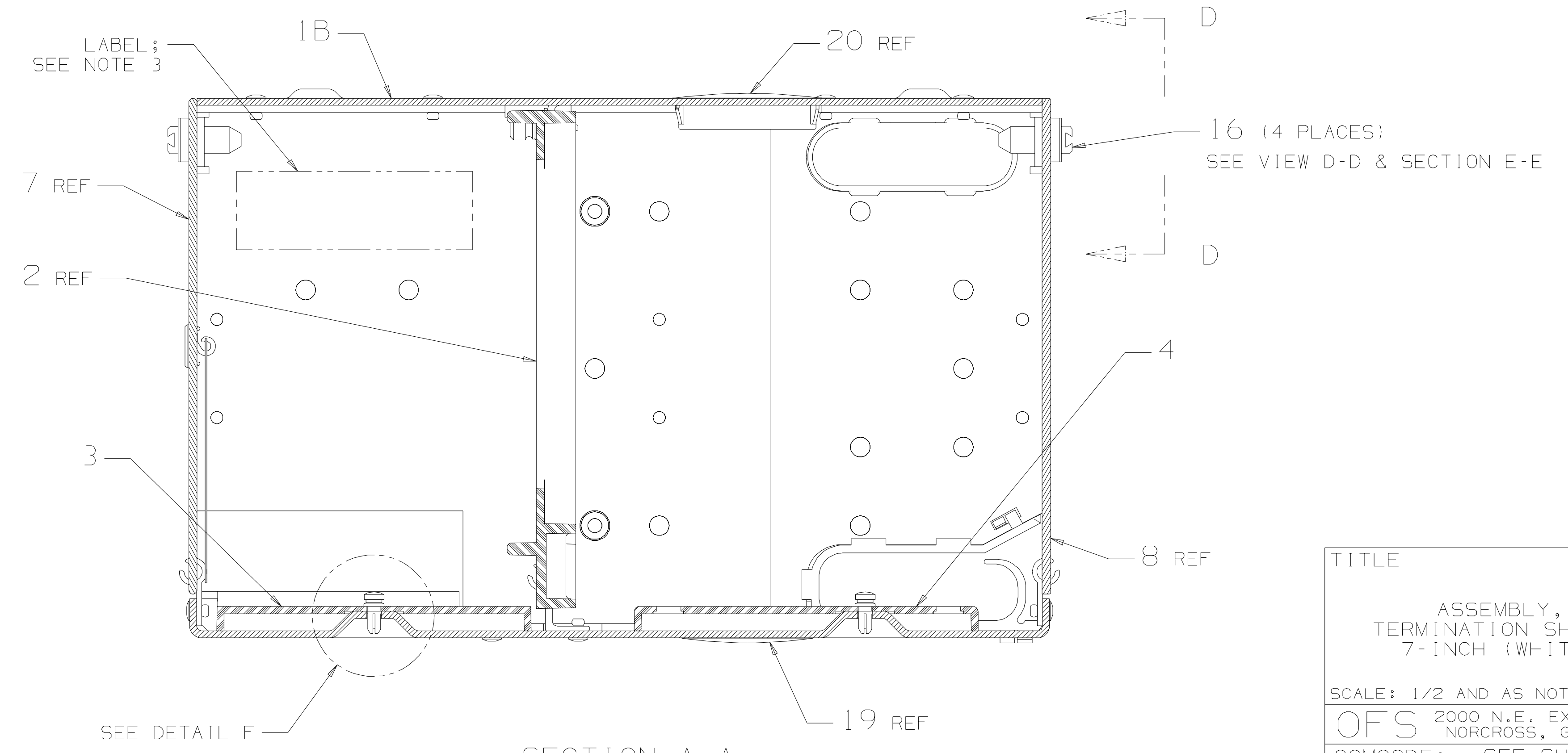
SECTION C-C  
SCALE 2/1  
ROTATED 90° CW  
(TYPICAL 2 PLACES)



DETAIL F  
SCALE 2/1  
(TYPICAL 4 PLACES)



FRONT VIEW  
(FRONT DOOR REMOVED)



SECTION A-A  
SCALE 3/4

TITLE  
ASSEMBLY,  
TERMINATION SHELF,  
7-INCH (WHITE)

SCALE: 1/2 AND AS NOTED

OFS 2000 N.E. EXPRESSWAY,  
NORCROSS, GA. 30071

COMCODE: SEE SHEET 1

OFS - PROPRIETARY  
Copyright © 2005  
OFS FITEL, CORP.

A87AK1045

SHEET  
3 OF 4

DWG  
SIZE  
D