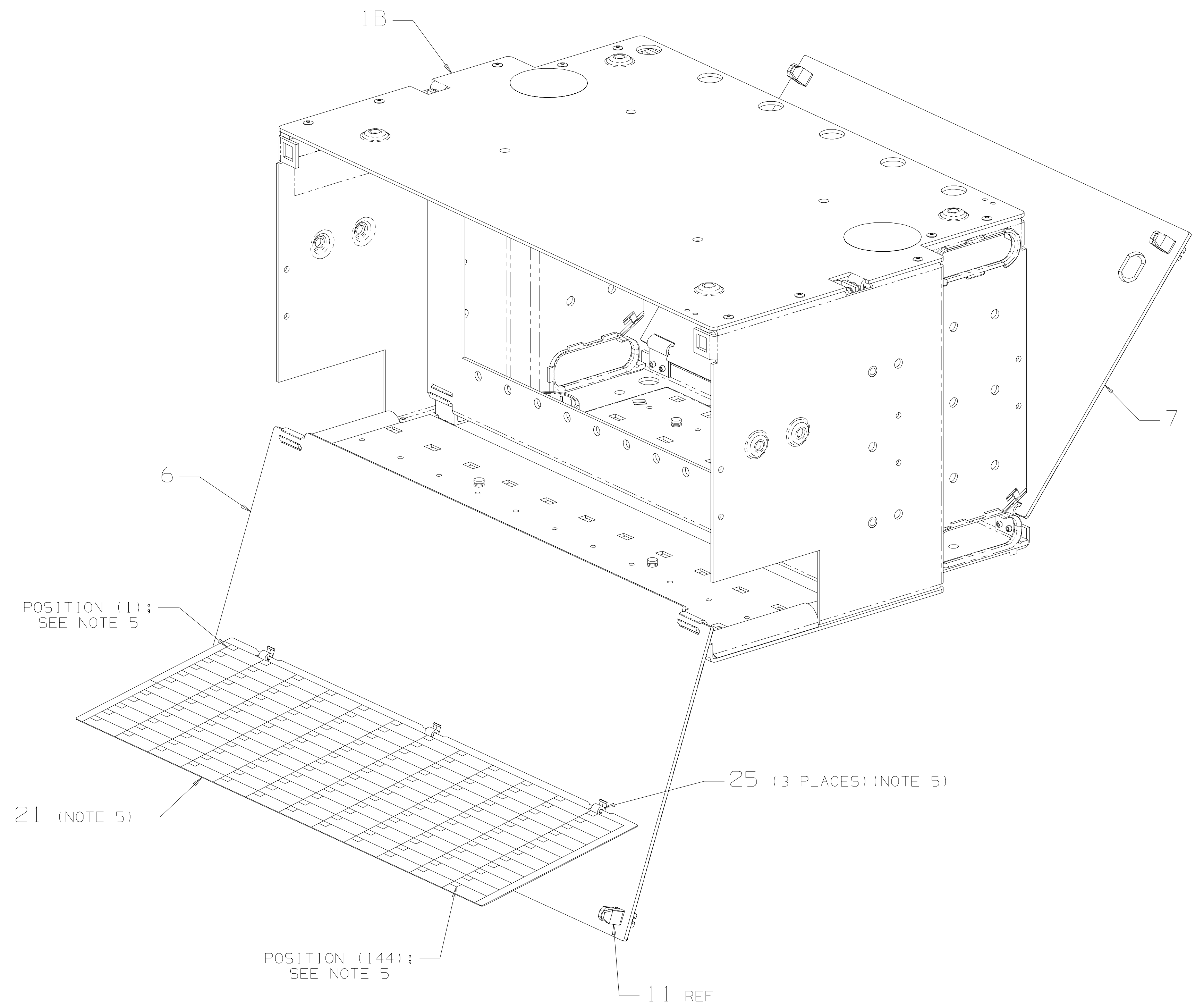
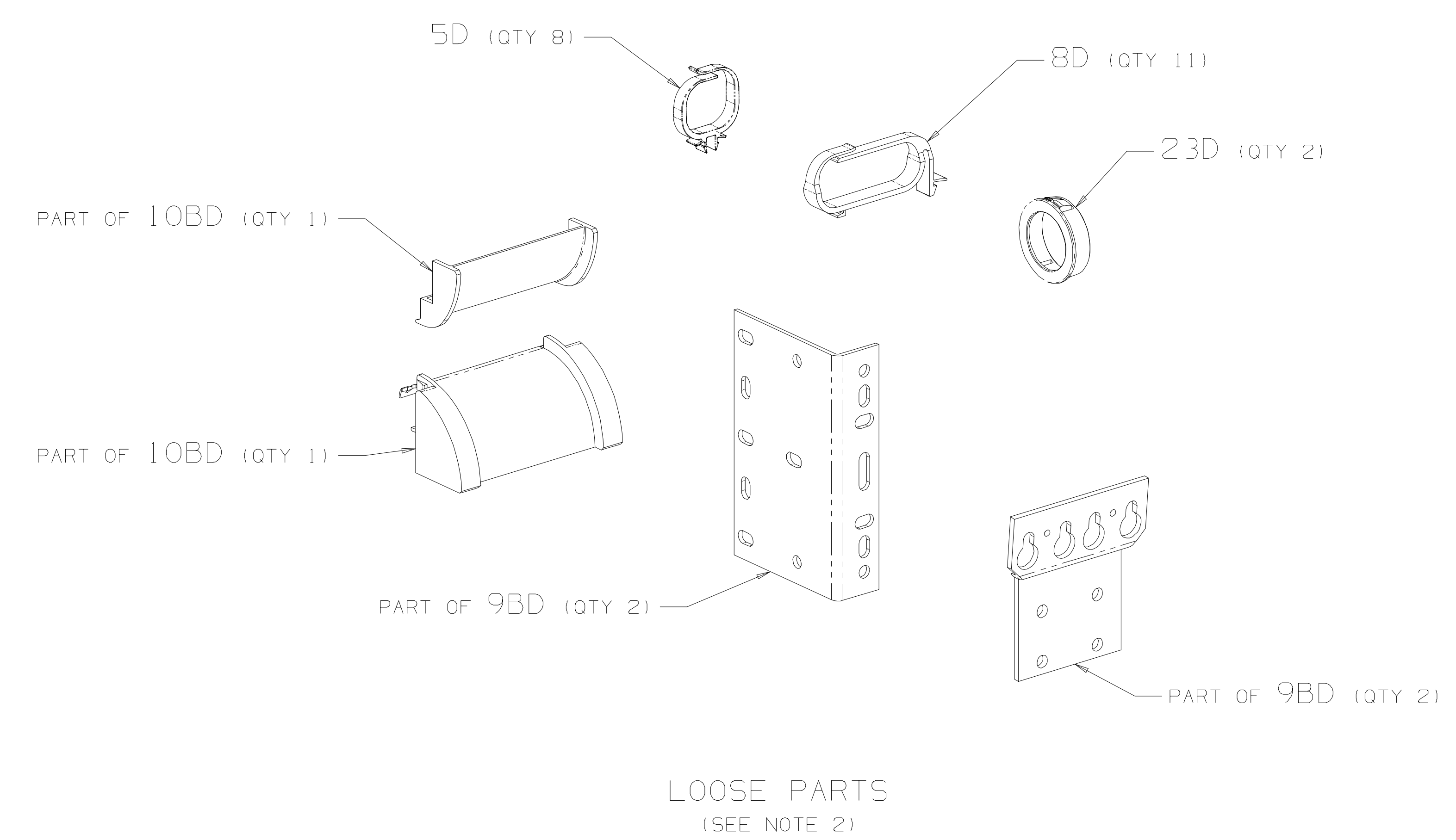


A95AK1006

ENGR			
DRAWN			
05-06-95 ISSUE 1			
CHNG: SEE SHEET 1.			
04-28-06	COO5AK5123		
SRA	JAF	JF	9
WCW			

A
B
C
D
E
F
G
H
J
K

A
B
C
D
E
F
G
H
J
K



TITLE
ASSEMBLY,
TERMINATION SHELF,
9-INCH (WHITE)

SCALE: 1/2

OFS 2000 N.E. EXPRESSWAY,
NORCROSS, GA. 30071

COMCODE: SEE SHEET 1

OFS - PROPRIETARY
Copyright © 2006
OFS FITEL, CORP.

A95AK1006

SHEET
2 OF 3

DWG
SIZE
D