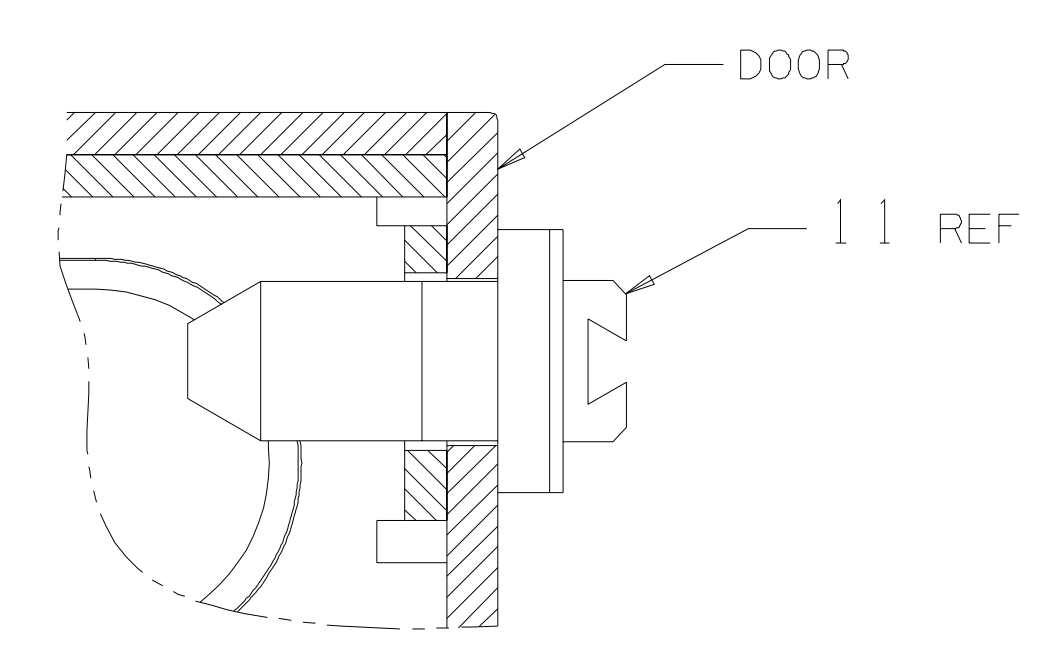
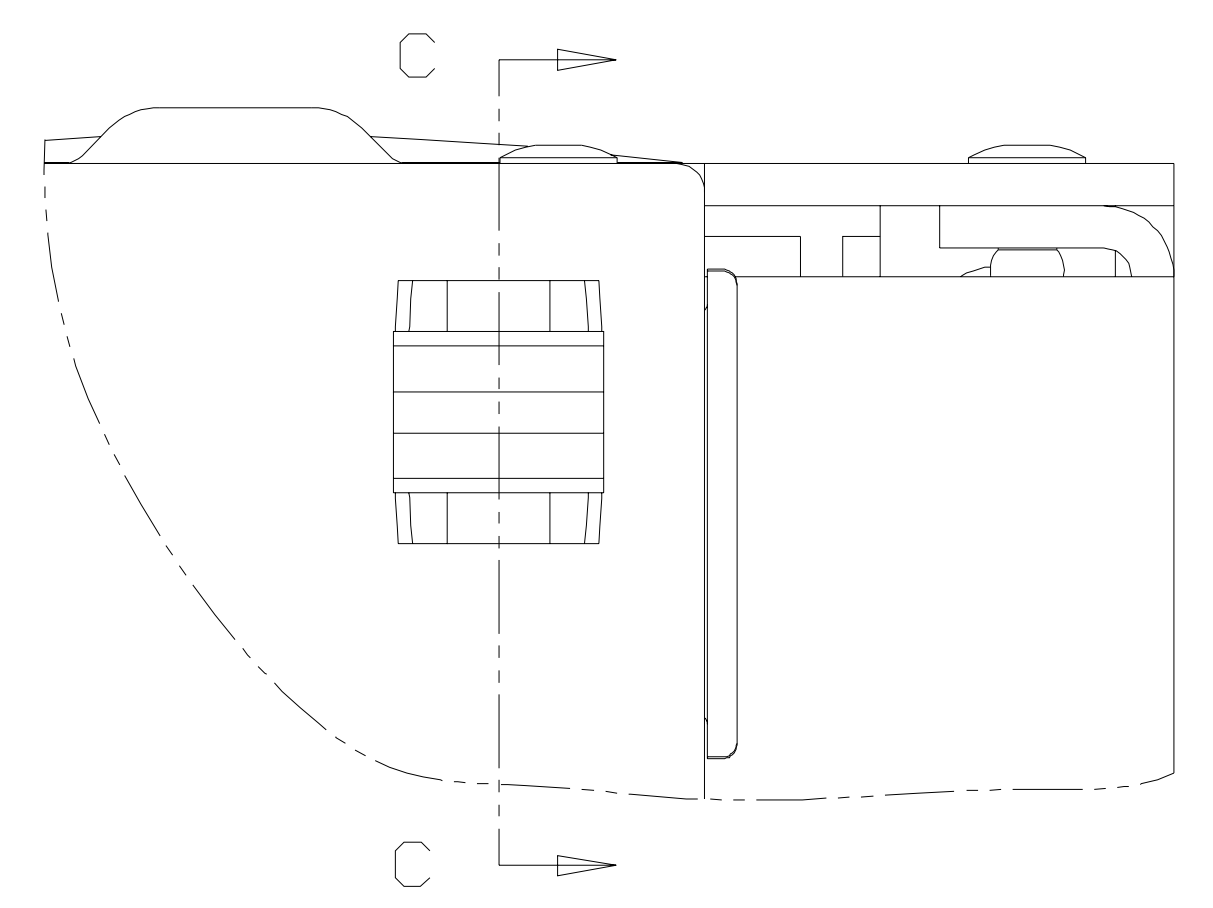


A95AK1006

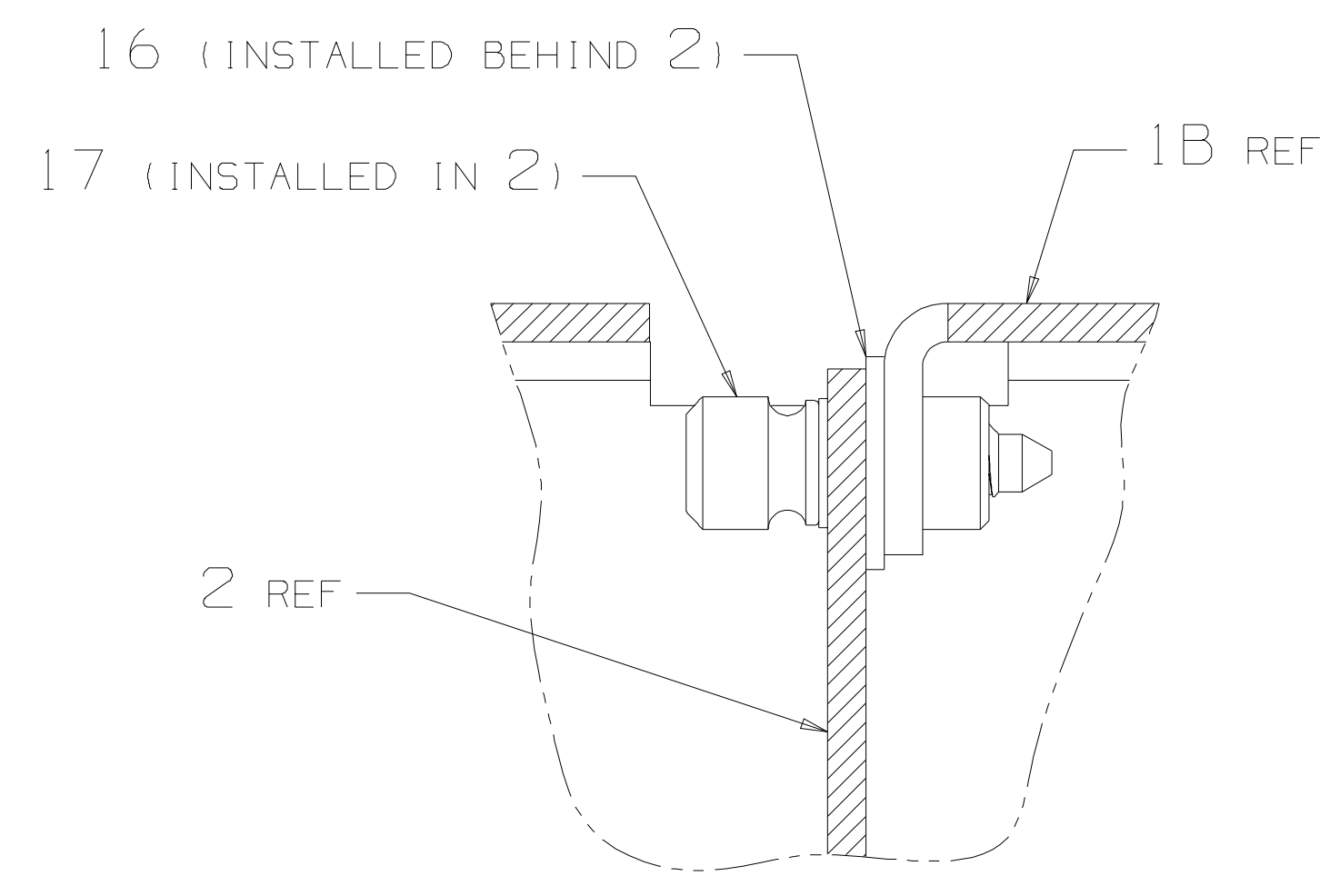
ENGR			
DRAWN			
05-06-95 ISSUE 1			
CHNG: SEE SHEET 1.			
04-28-06	COO5AK5123		
SRA	JAF	JF	9
WCW			



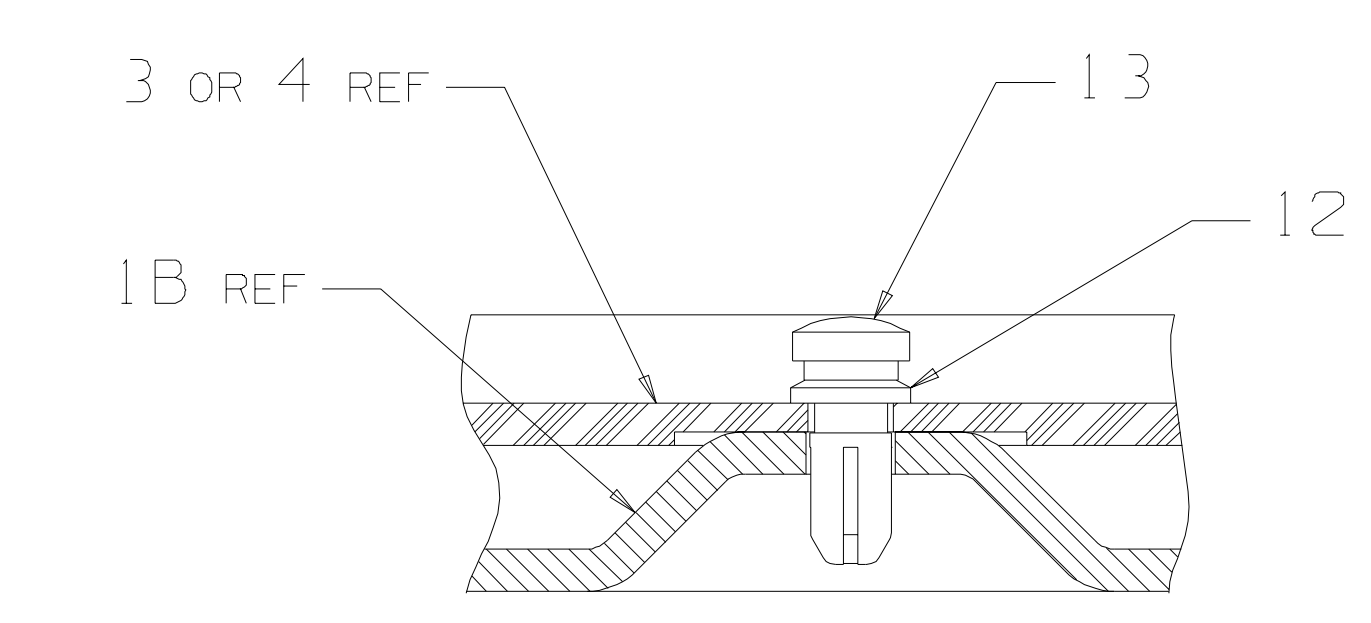
SECTION C-C  
SCALE 2/1



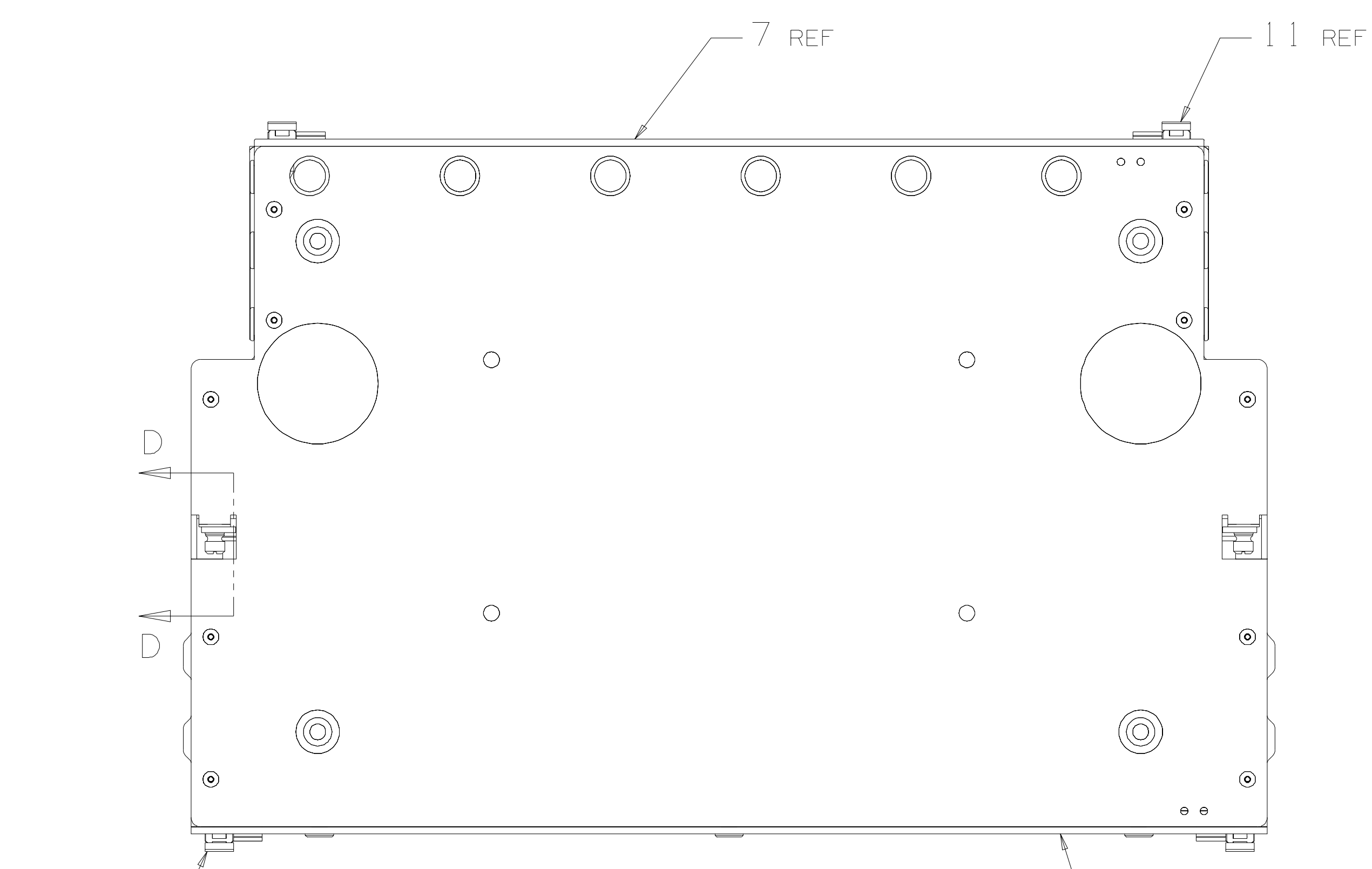
VIEW B-B  
(PARTIAL)  
SCALE 2/1  
(TYPICAL 4 PLACES)



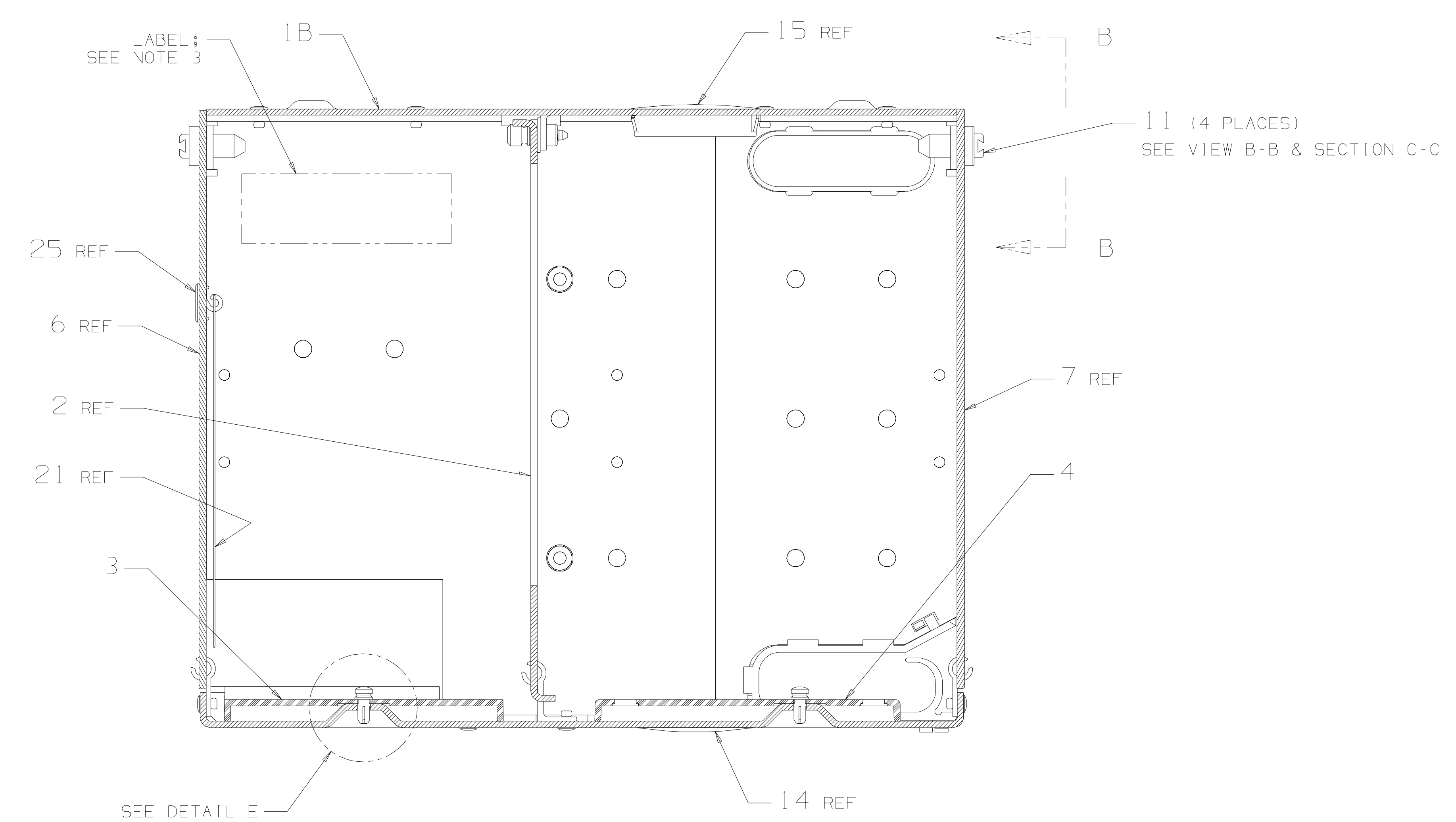
SECTION D-D  
SCALE 2/1  
ROTATED 90° CW  
(TYPICAL 2 PLACES)



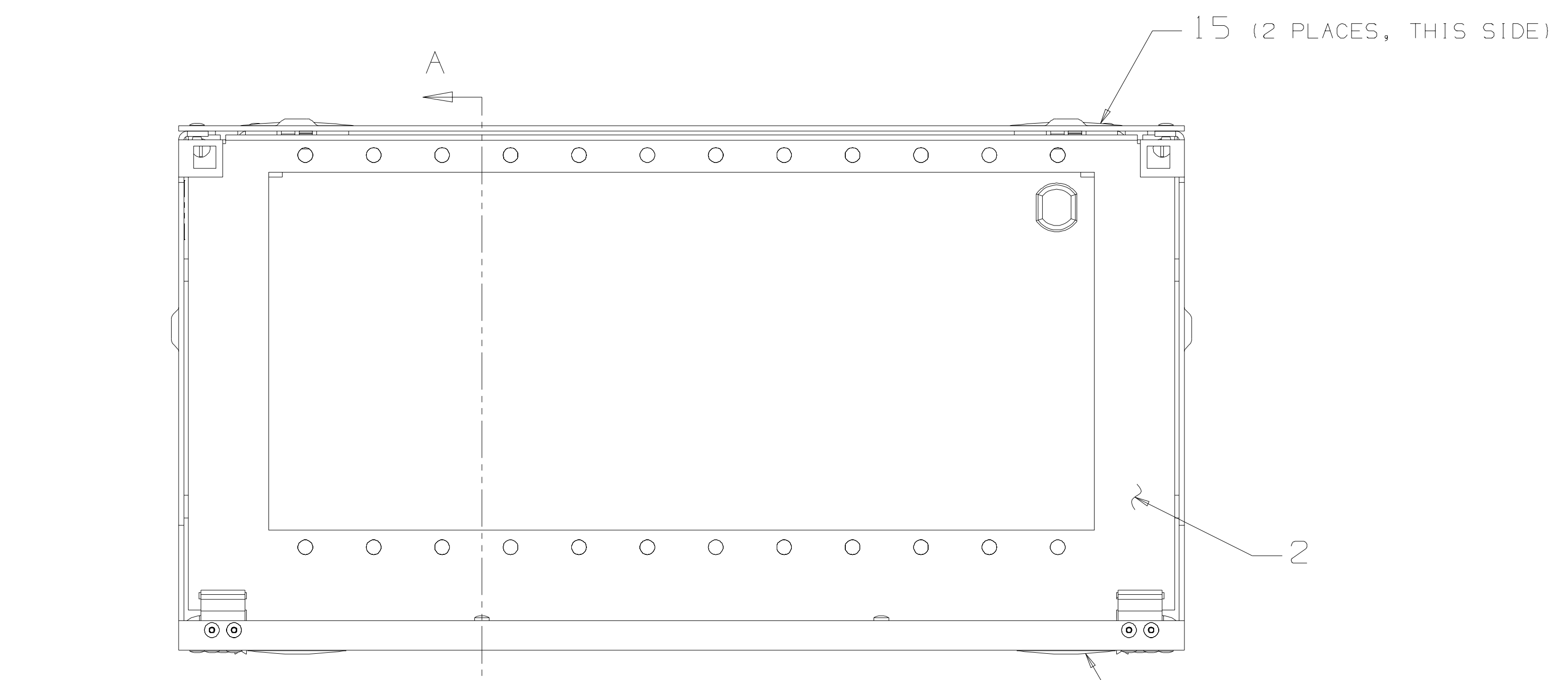
DETAIL E  
SCALE 2/1  
(TYPICAL 4 PLACES)



TOP VIEW



SECTION A-A  
SCALE 3/4



FRONT VIEW  
(FRONT DOOR REMOVED)

TITLE  
ASSEMBLY,  
TERMINATION SHELF,  
9-INCH (WHITE)

SCALE: 1/2 AND AS NOTED

OFS 2000 N.E. EXPRESSWAY,  
NORCROSS, GA. 30071

COMCODE: SEE SHEET 1

OFS - PROPRIETARY  
Copyright © 2006  
OFS FITEL, CORP.

A95AK1006

SHEET  
3 OF 3

DWG  
SIZE  
D