

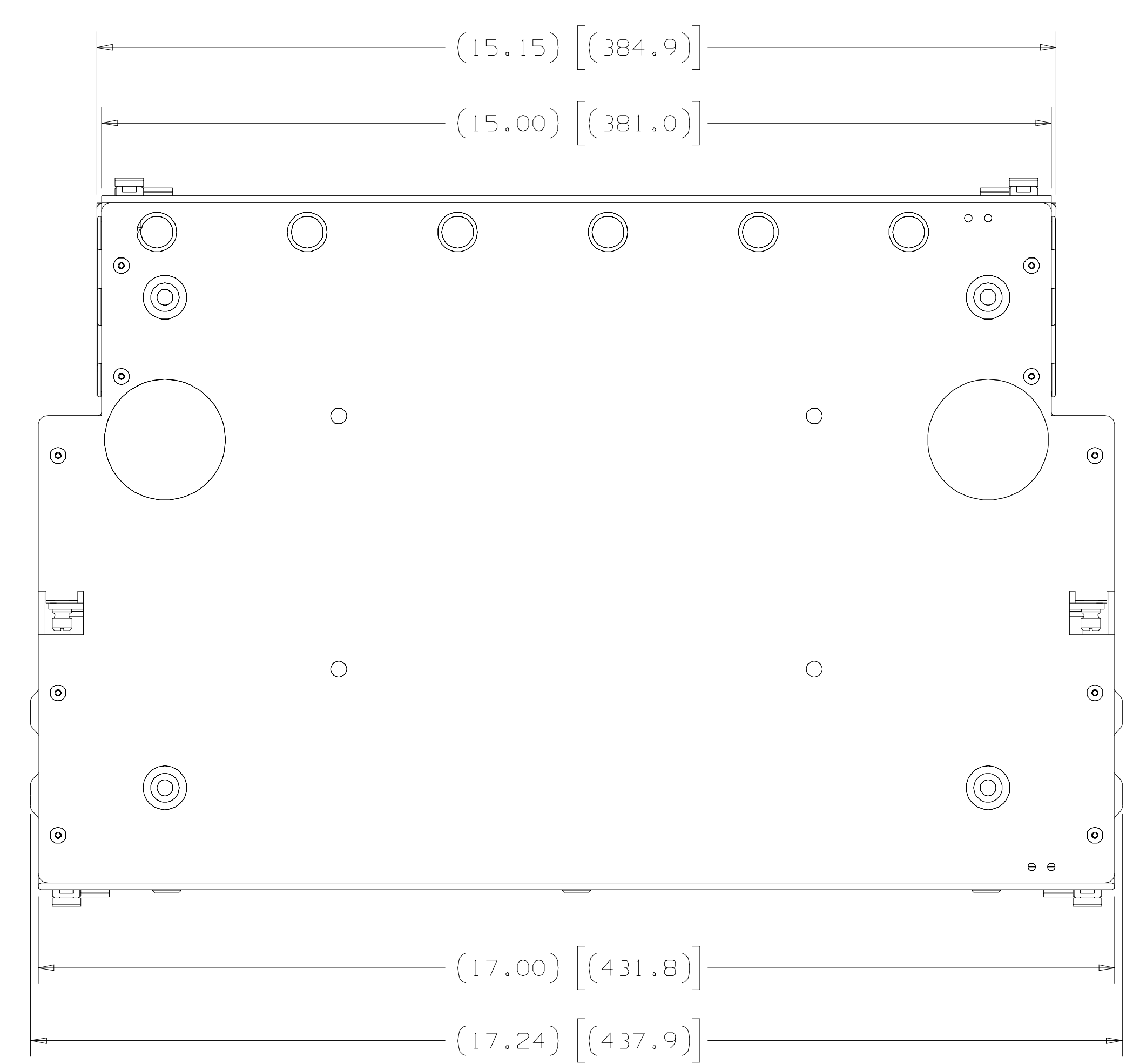
0 1 2 3 4 5 6 7 8 9 10 11 12 13 14

TABLE A		
ORDER CODE	PRODUCT CODE	PANELS
105335871	LST1U-072/07-WHITE	NONE

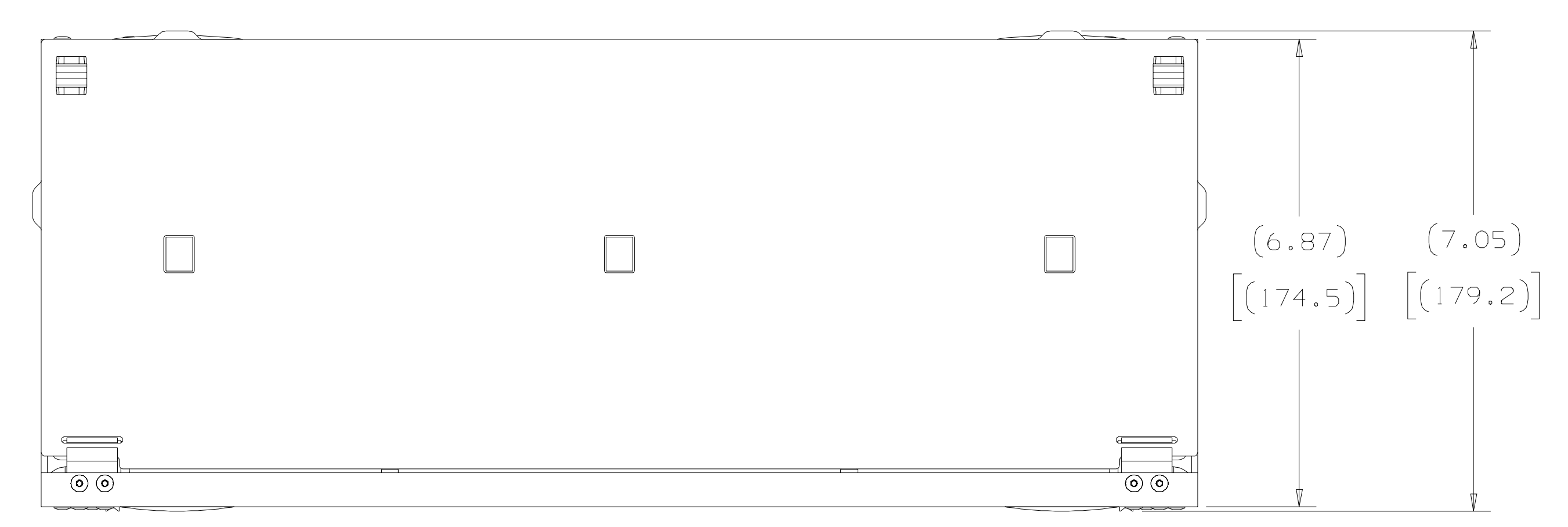
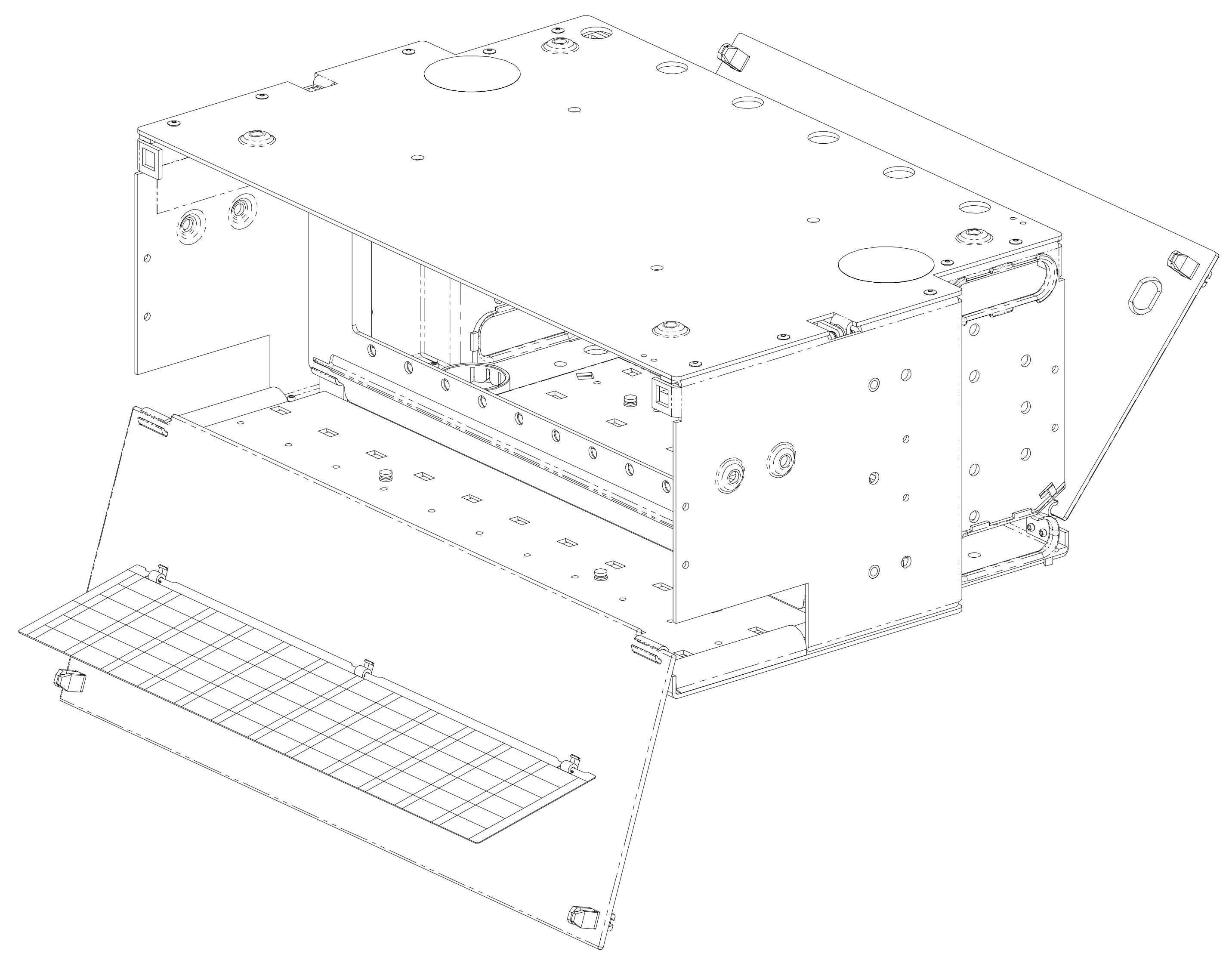
NOTES:

- UNLESS OTHERWISE SPECIFIED, ALL DIMENSIONS ARE IN INCHES. NONLIMITED DIMENSIONS OTHER THAN SIZE OF RAW MATERIAL SHALL BE HELD AS FOLLOWS WHEN EXPRESSED:
 TO 2 DECIMAL PLACES ± AS ANGLES ±
 TO 3 DECIMAL PLACES ±
 THIS DRAWING HAS BEEN PREPARED IN ACCORDANCE WITH ANSI Y14.5M - 1994. DIMENSIONS SHOWN IN BRACKETS () ARE MILLIMETERS AND FOR REFERENCE.
- SEE SHEET 2 FOR ILLUSTRATIONS AND LIST OF LOOSE PARTS SHIPPED WITH THIS UNIT.

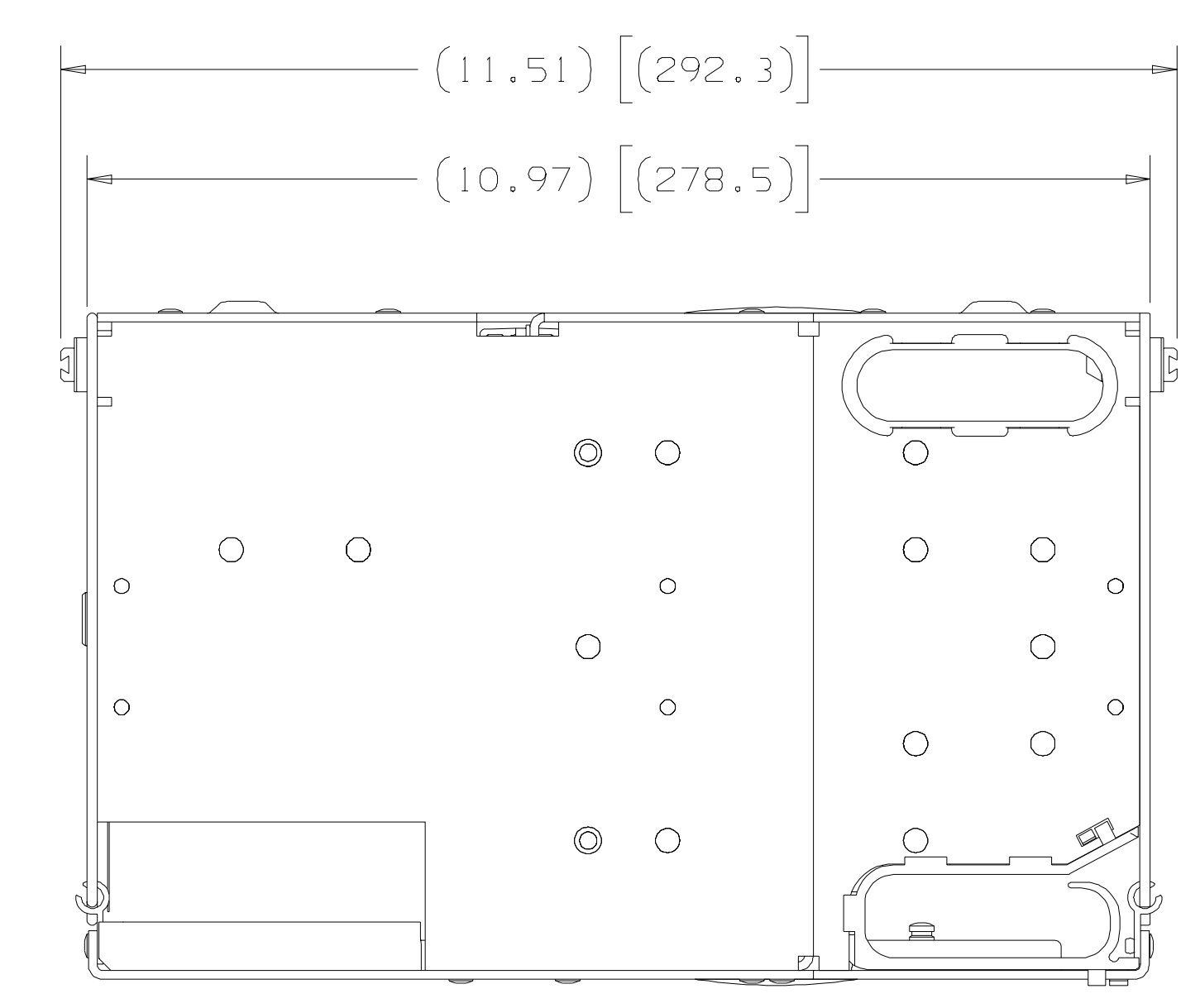
PSA87AK1045		
ENGR W.C. WHITE	WCW	WK
DRAWN S. ST. ANDREWS	SRA	WCW
05-09-06 ISSUE 1		



TOP VIEW



FRONT VIEW



RIGHT VIEW

TITLE
 TERMINATION SHELF,
 7-INCH

SCALE: NTS

OFS 2000 N.E. EXPRESSWAY,
 NORCROSS, GA. 30071

COMCODE: SEE TABLE "A"

OFS - PROPRIETARY
 Copyright © 2006
 OFS FITEL, CORP.

1	1	ISSUE SHEET
2	1	SHEET INDEX

PSA87AK1045

SHEET	DWG
1 OF 2	SIZE
	D

0 1 2 3 4 5 6 7 8 9 10 11 12 13 14