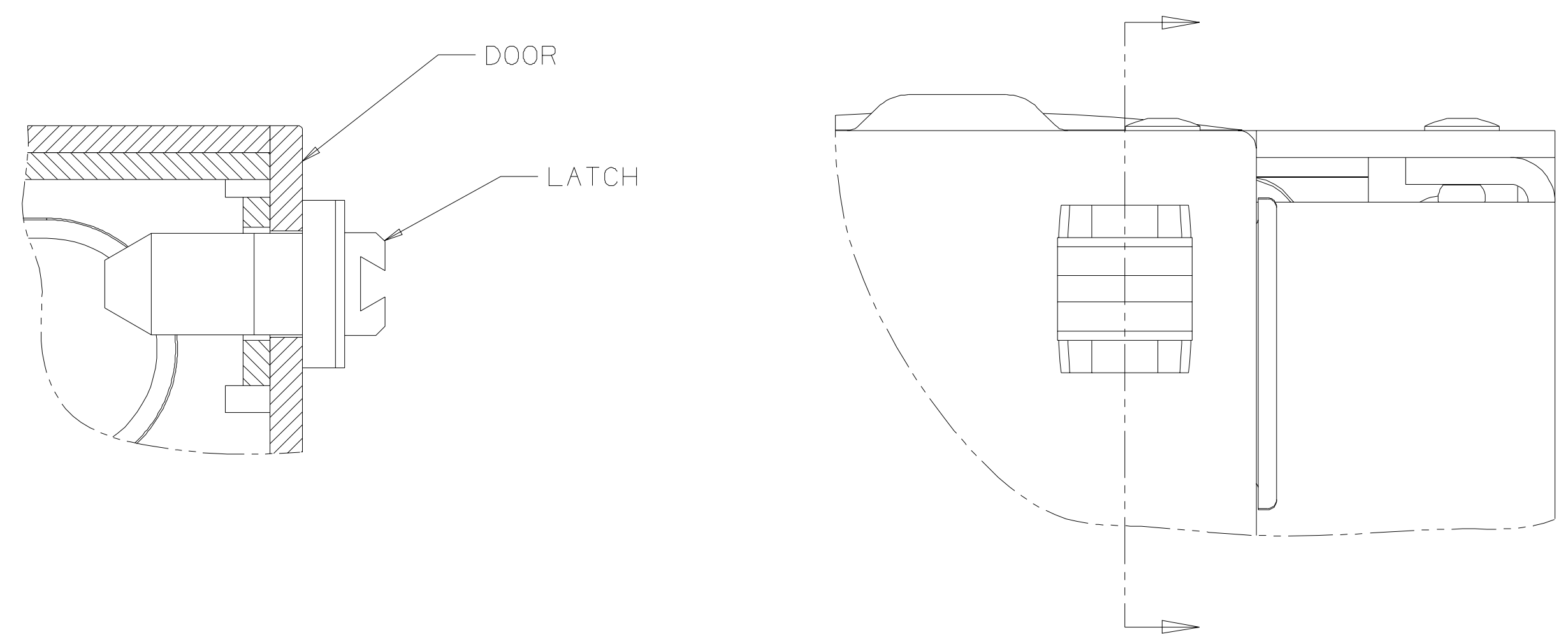


PSA87AK1045

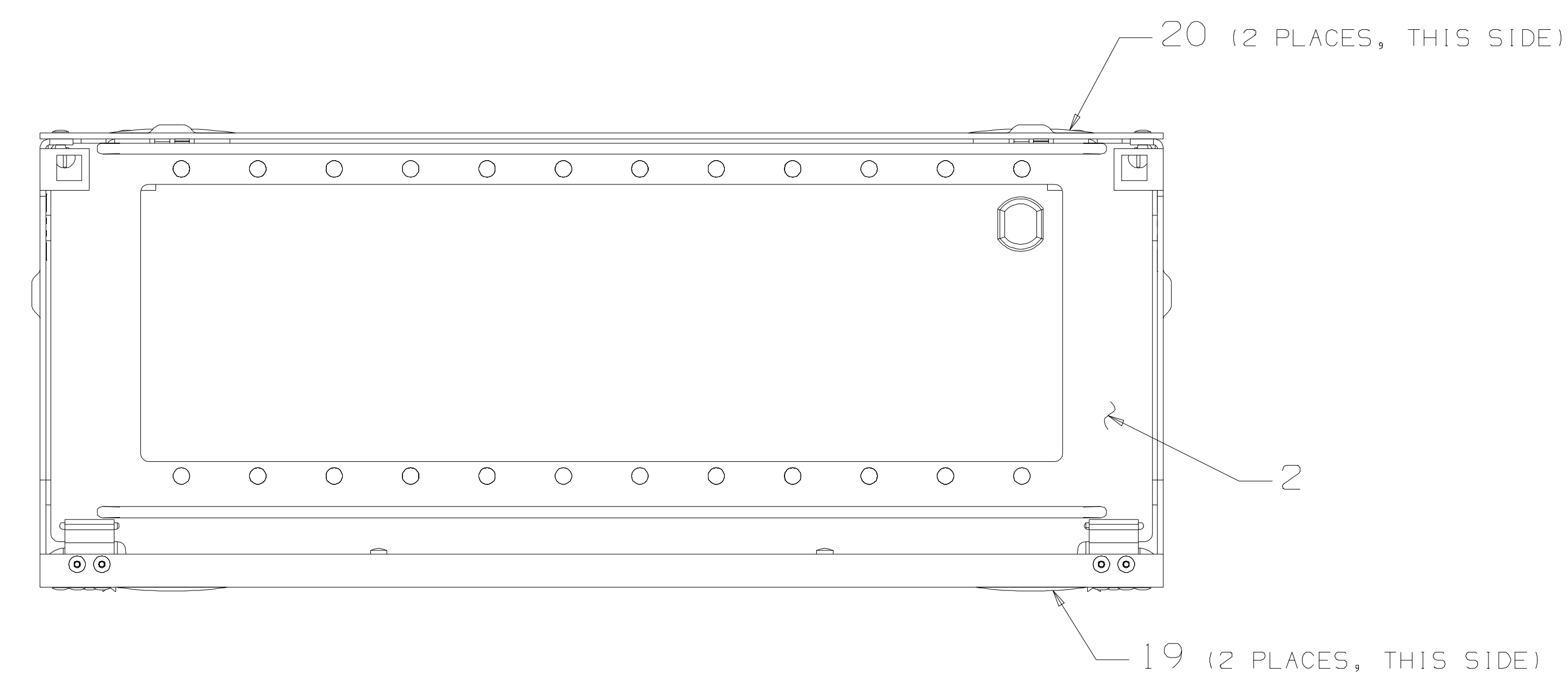
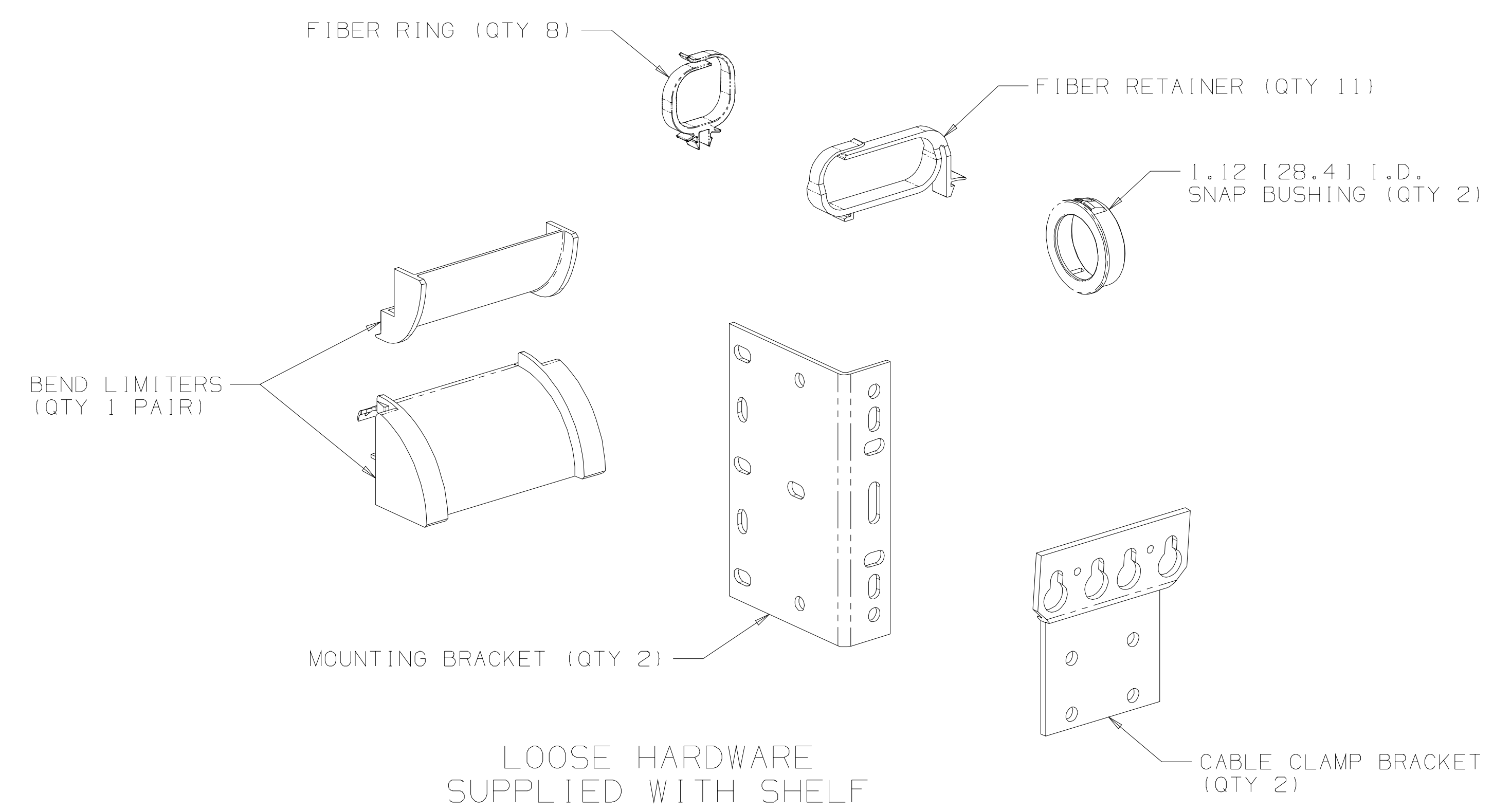
ENGR W.C. WHITE	WCW	WK
DRWN S.P. ANDREWS	SRA	WCW
05-09-06 ISSUE 1		

FASTENERS (NOT PICTURED)

- A. NUT, HEX, W/CAPTIVE ET LK WSHR, 12-24, STEEL, ZINC PLT (QTY 10)
- B. SCREW, HEX SLOT WSHR HD, 12-24 X .50, STEEL, ZINC PLT (QTY 6)
- C. SCREW, PAN HD W/COMBINATION SLOT, 12-24 X .25, STEEL, ZINC PLT (QTY 4)
- D. SCREW, PAN HD W/COMBINATION SLOT, 12-24 X .38, STEEL, ZINC PLT (QTY 4)



DOOR LATCH
(TYPICAL 4 PLACES)



FRONT VIEW
(FRONT DOOR REMOVED)

TITLE	
TERMINATION SHELF, 7-INCH	
SCALE: NTS	
OFS 2000 N.E. EXPRESSWAY, NORCROSS, GA. 30071	
COMCODE: SEE SHEET 1	

OFS - PROPRIETARY
Copyright © 2006
OFS FITEL, CORP.

PSA87AK1045	SHEET 2 OF 2	DWG SIZE D
-------------	-----------------	------------------