



**Product Change Notice/  
Product Recall Notice**

<b>1. Supplier Information</b> OFS, 2000 NE Expressway, Norcross, GA 30071 Contact: John Kamino (770) 798-5336		<b>2. Product Change/ Recall Notice No.</b> <b>2007-0013-1 D</b>	<b>2a. Include on www.ofsoptics.com</b> <b>Yes</b>
<b>3. Issue Date of Change/Recall</b> 6/19/07	<b>4. System &amp; Product Description</b> MPO Connector Dust Cap change		
<b>5. New Product ID</b> NA	<b>6. Old Product ID</b> See attached list		
<b>7. Associated Products or Changes Affected</b> NA			
<b>8. Drawing No.</b>	<b>9. Product Change Classification</b> Class D		
<b>10. Classification Substantiation</b> no change in Function, minor change in Form and Fit			
<b>11. Reason(s) for Change/Recall</b> Redesign of MPO connector dustcap.			
<b>12. Description of Change/Recall</b> Minor change to form and fit of MPO dustcap to improve performance. See attached drawing of old and new dust caps. Customer will note that the finger grip features have been moved from the "top and bottom" of the connector to the sides of the cap. Material is RoHS and UL 94 V-0 compliant. Existing stock of inventory will be depleted - customer will receive assemblies using old style dust caps until inventory is exhausted.			
<b>13. Effect of Change/Recall</b> N/A			
<b>14. Material/Product Affected</b> Multifiber connector assembly			
<b>15. Documentation Affected</b>			
<b>16. Supplier Implementation Date</b> 8/1/07	<b>17. Modification Completion Date</b> 8/1/07		
<b>18. Modification/Recall Location</b> N/A			
<b>19. Modification/Recall Cost</b> N/A			
<b>20. Location and Quantity of Equipment</b> N/A			
<b>21. Attachments</b> N/A			
<b>22. Comments</b> N/A			

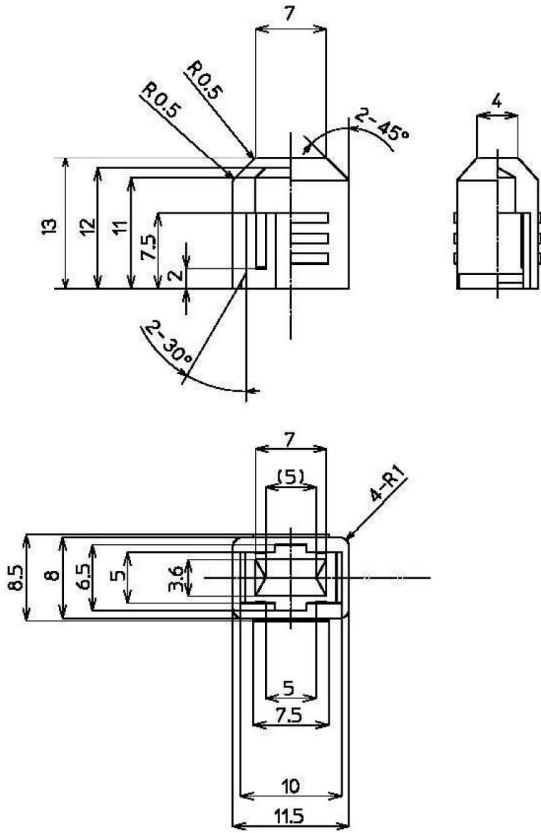


Fig. 1 - Present Dust Cap

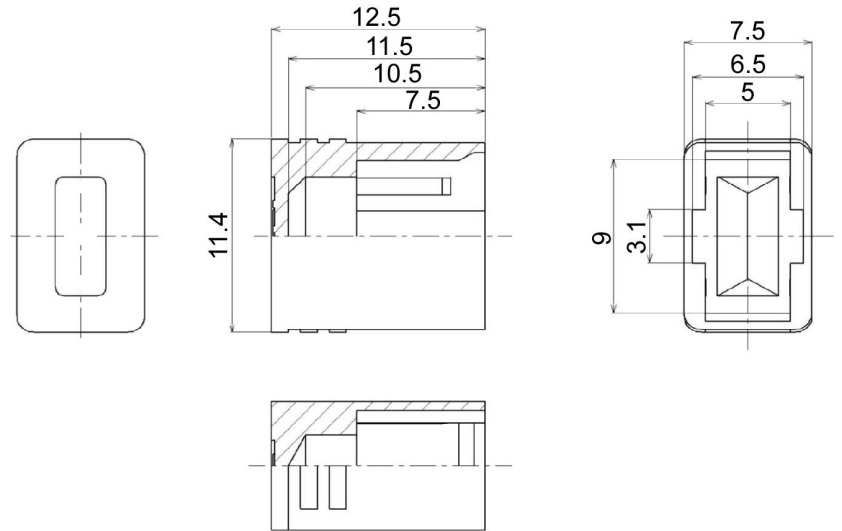


Fig. 2 - New Dust Cap