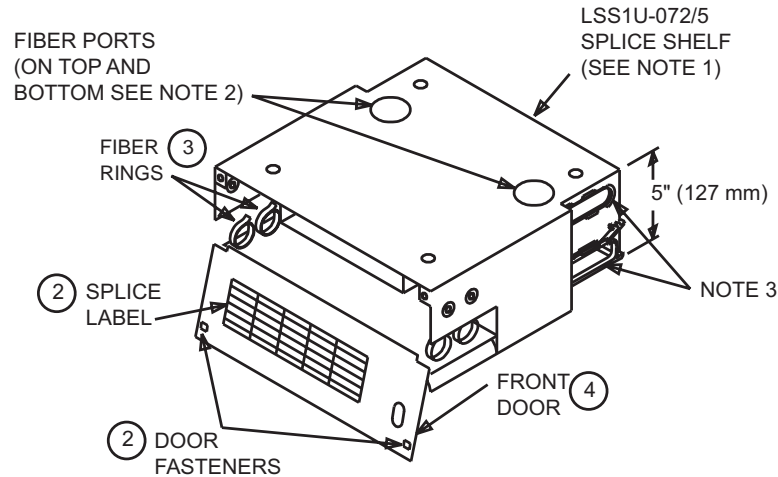


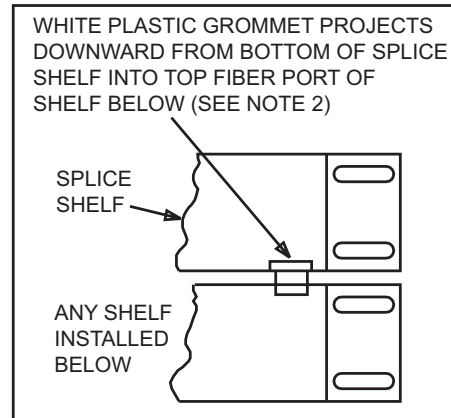
**STEP 1—CHECK PARTS AND INSTALL LABEL, GROMMETS, AND RINGS**

(This product is intended for indoor use, or outdoors in a suitable protective enclosure.)



LOOSE PARTS FURNISHED WITH SHELF ①		
ID NO.*	DESCRIPTION	QUAN
846 247 435	Mounting Brackets	1
846 247 443	Mounting Brackets	1
—	Fiber Rings	6
—	Shelf Label	1
848 067 369	Cable Clamp Brackets	2
—	White Plastic Grommets	2
—	Misc. Screws and Nuts	—

\* For ID purposes; not for ordering.



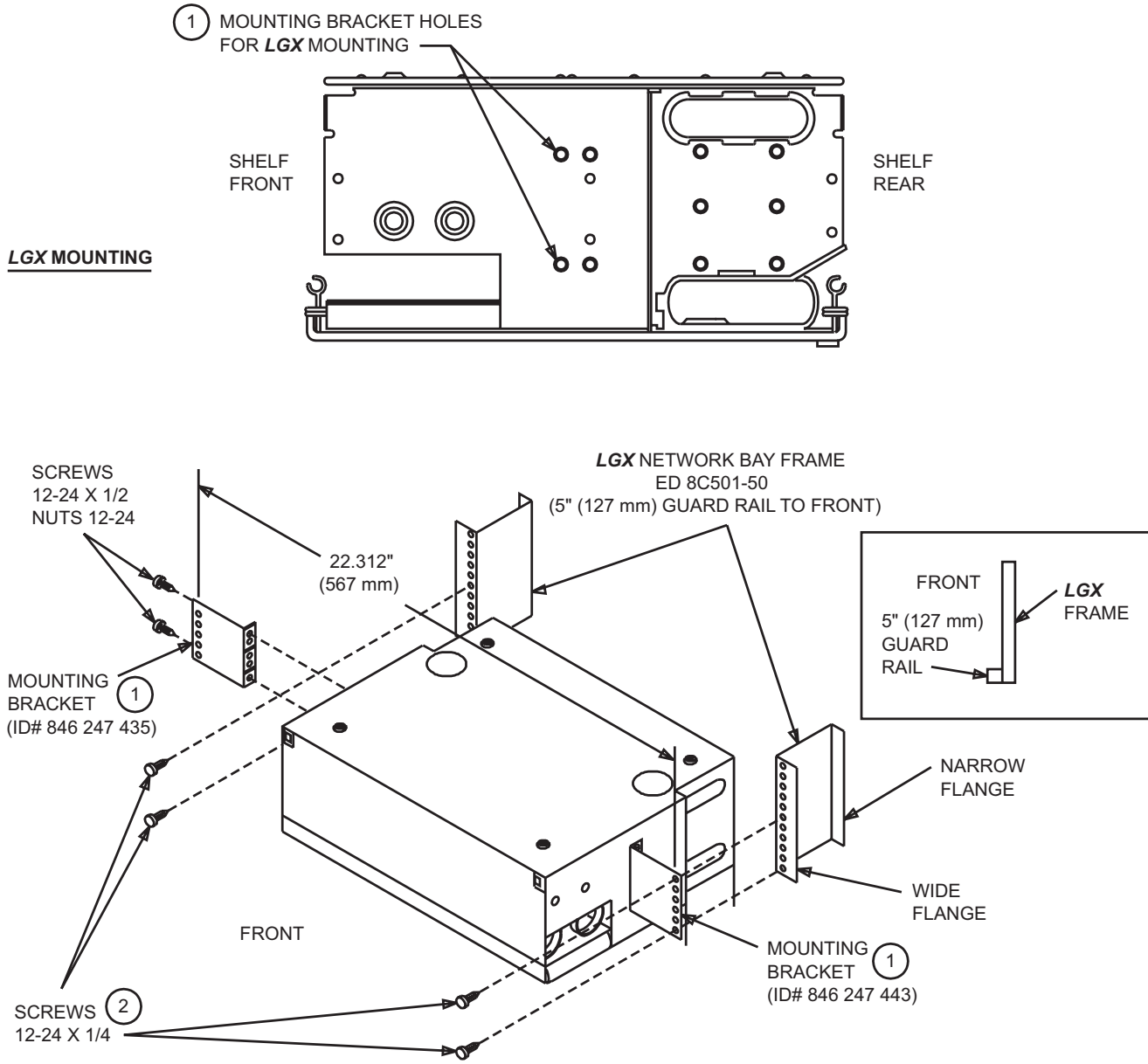
**Note 1:** If this shelf is being installed along with a termination shelf, see 636-299-103-7, LSC1U-072/12 Lightguide Combination Splice and Termination Shelf Installation (Comcode 845 866 425) also provided with LSS1U-072/5 shelf.

**Note 2:** Grommets installed in fiber ports allow fibers to be routed internally to other shelves. To install grommets, remove bottom two fiber port plugs. Install grommets from inside shelf projecting downward as shown above. When mounting termination shelf above another shelf, remove top fiber port plugs in shelf below. When mounting under another shelf, remove top two fiber plugs in splice/termination shelf.

**Note 3:** LS-type shelves come equipped with plastic grommets in upper cable entry ports and slotted out lower cable entry ports. The slots will have grommets and will permit easy lay-in of cables or fibers.

1. Verify parts against parts list. Splice organizers used with this shelf are ordered/provided separately.
2. Rotate front door fasteners 1/4 turn, tilt open and apply splice label to inner side of door.
3. Position and snap fiber rings into front and back of shelf as shown on Page 8.
4. Return front door to closed position and rotate 1/4 turn fasteners to secure.

**STEP 2—INSTALL SHELF MOUNTING BRACKETS AND MOUNT SHELF—LGX® FRAME**

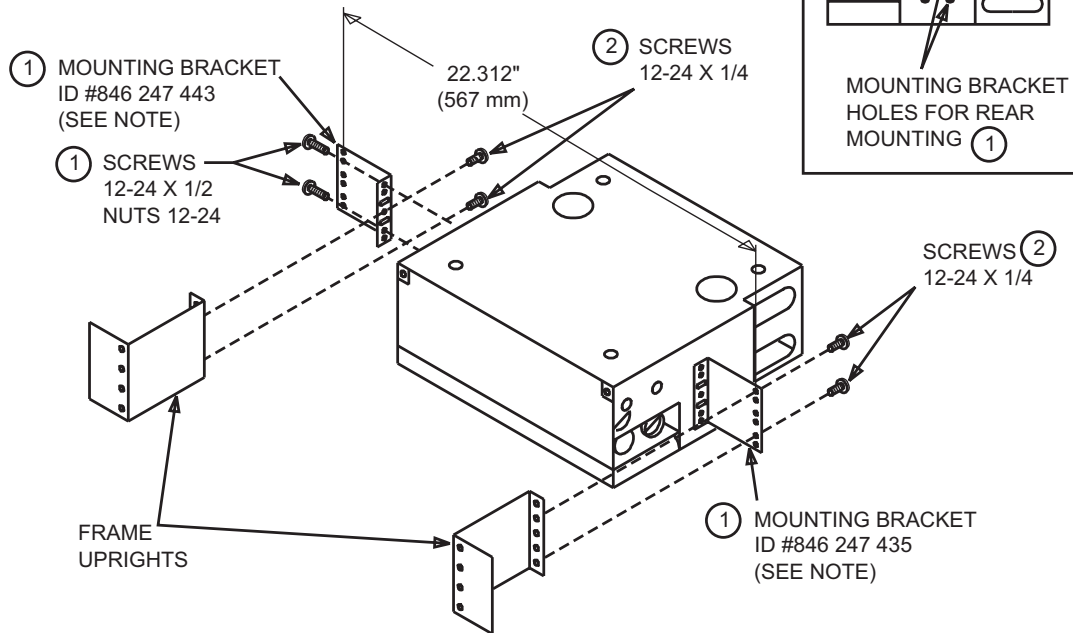


**Note:** Mounting brackets are not interchangeable. Mount brackets to shelf per ID numbers shown above.

1. Position and attach each mounting bracket to shelf using proper mounting holes (see above) with two 12-24 by 1/2 screws and 12-24 nuts (with captive lockwashers).
2. Install shelf to front of **LGX** frame with two 12-24 by 1/4 screws per mounting bracket.

## STEP 2—INSTALL SHELF MOUNTING BRACKETS AND MOUNT SHELF—OTHER THAN LGX® FRAME

### 23" (584 mm) FRAME REAR MOUNTING

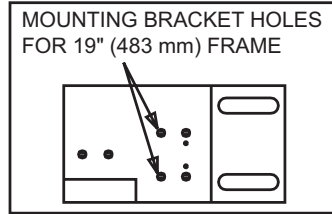
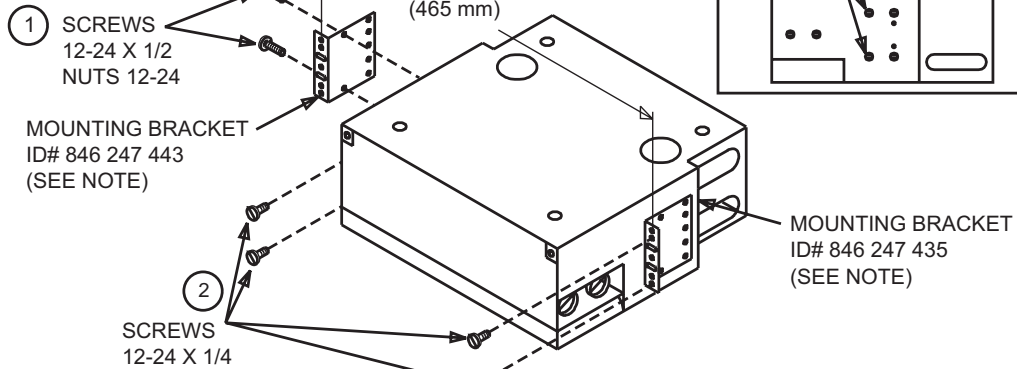


**Note:** Mounting brackets are not interchangeable. Mount brackets to shelf per ID numbers shown above.

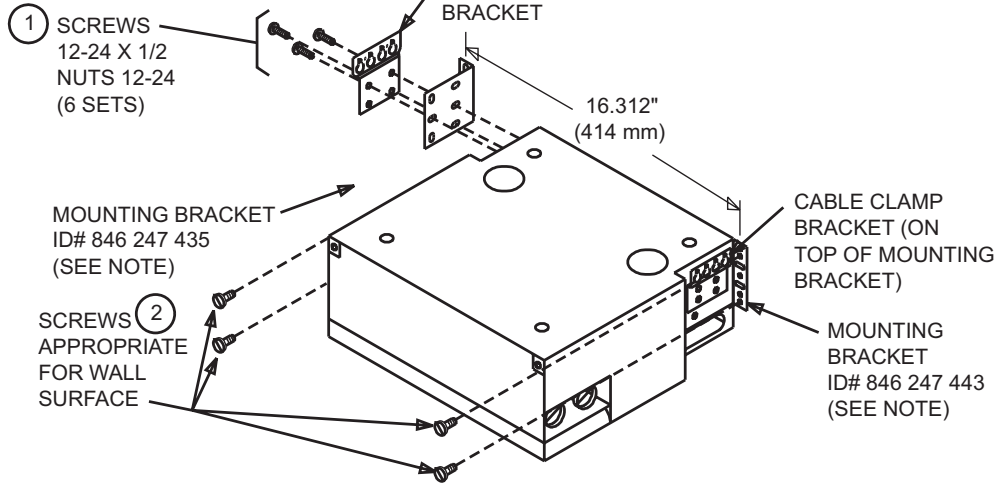
1. Position and attach each mounting bracket to shelf using proper mounting holes (see above) with two 12-24 by 1/2 screws and 12-24 nuts (with captive lockwashers).
2. Install shelf to frame with two 12-24 by 1/4 screws per mounting bracket.

**STEP 2—INSTALL SHELF MOUNTING BRACKETS AND MOUNT SHELF—OTHER THAN LGX® FRAME**

**19" (483 mm) FRAME MOUNTING CONFIGURATION**



**WALL MOUNTING CONFIGURATION**



**Note:** Mounting brackets are not interchangeable. Mount brackets to shelf per ID numbers shown above.

**19-INCH (483 mm) FRONT FRAME MOUNTING:**

1. Position and attach each mounting bracket to shelf using proper mounting holes (see above) with two 12-24 by 1/2 screws and 12-24 nuts (with captive lockwashers).
2. Install shelf to 19-inch frame with two 12-24 by 1/4 screws per mounting bracket.

**STEP 2—INSTALL SHELF MOUNTING BRACKETS AND MOUNT SHELF—OTHER THAN LGX® FRAME****WALL MOUNTING:**

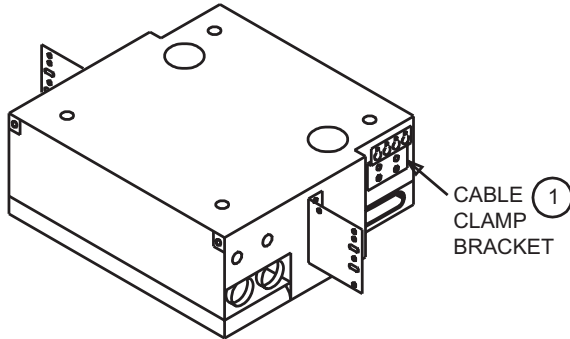
**Note:** Illustration above is for wall-mounted top cable entry. See Step 3 for wall-mounted bottom cable entry. Shelf may also mount on 134-type wall bracket.

1. Position and install both shelf mounting bracket and cable clamp bracket to side of shelf with three 12-24 by 1/2 screws and 12-24 nuts (with captive lockwashers). Screws go through both brackets. Repeat same for opposite side of the shelf.
2. Install shelf to wall surface with two fasteners (locally obtained) per mounting bracket. Fasteners should be appropriate for wall surface.

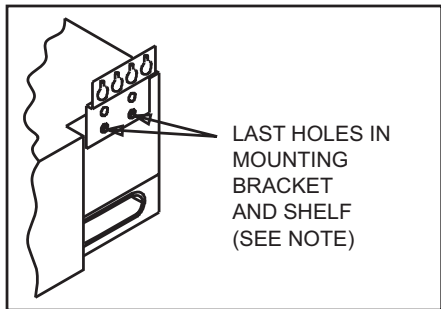
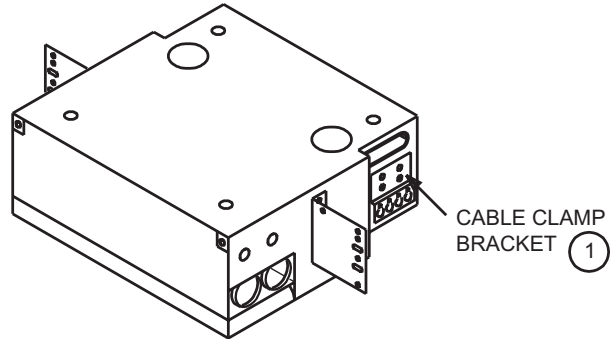
**STEP 3—INSTALL CABLE CLAMP BRACKETS**

FRONT AND REAR ACCESS

REAR-TOP CABLE ENTRY

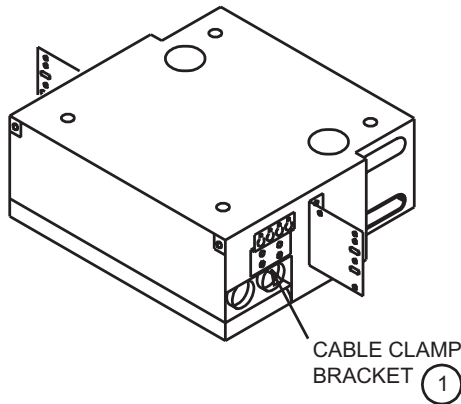


REAR-BOTTOM CABLE ENTRY

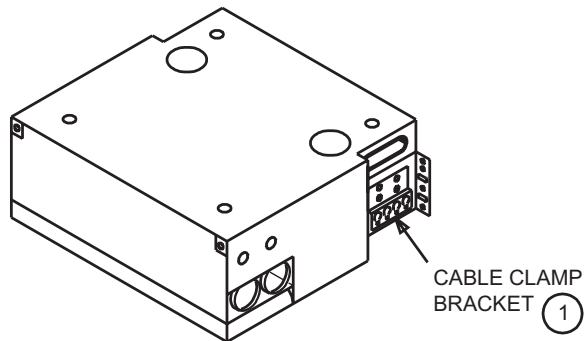


FRONT ACCESS ONLY

FRONT-TOP CEV FRAME CABLE ENTRY

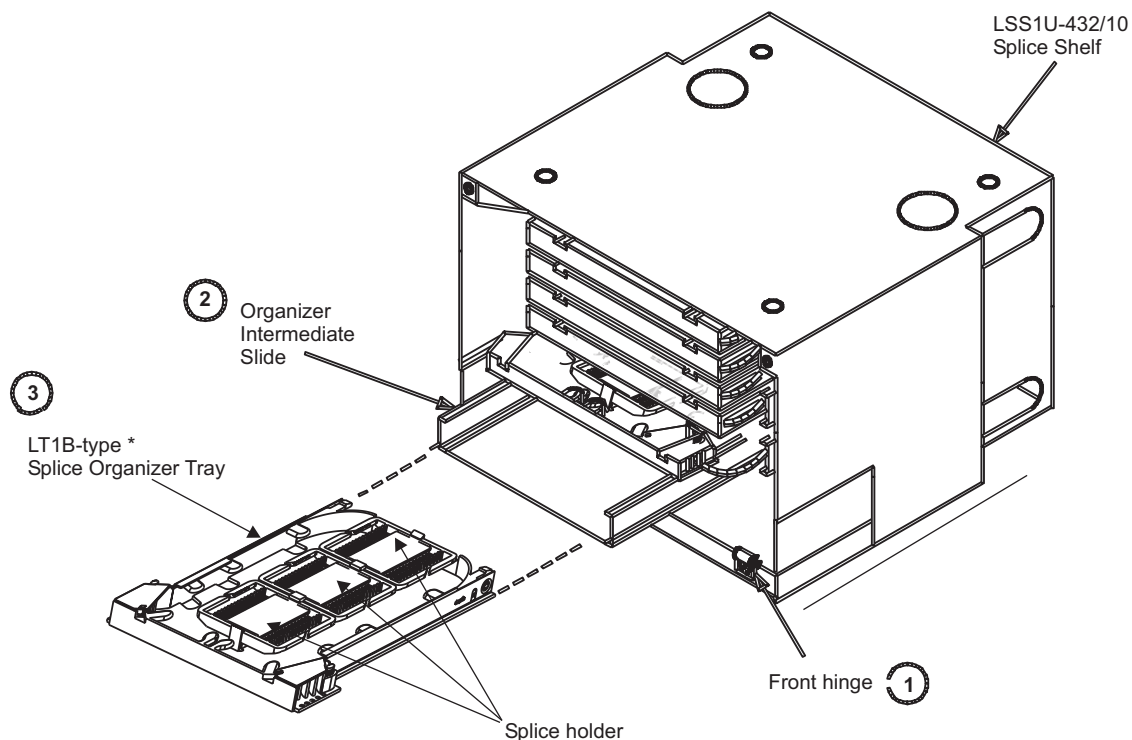


(WALL MOUNTED)-REAR BOTTOM CABLE ENTRY



**Note:** Some OSP cables using top or bottom entry may require cable clamp brackets to be installed using last holes in shelf and bracket to maintain proper fiber bend radius into shelf (see example above). For bottom cable entry, turn the cable clamp bracket  $\pm 180$  degrees and mount below the bottom of the shelf.

1. Position and install each cable clamp bracket to each side of shelf with two 12-24 by 3/8 screws and 12-24 nuts (with captive lockwashers). For wall-mounted shelves, cable clamp brackets were previously installed with mounting brackets.

**STEP 4—INSTALL LT1B-TYPE SPLICE ORGANIZER(S)**

- \* - LT1B - MM for mechanical / Rotary splices  
 - LT1B - F/F for fusion splices  
 - LT1B - MF/MF for mass fusion splices

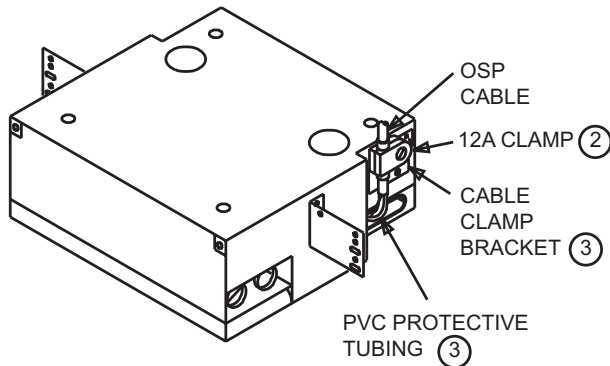
**Note:** The LT1B-type splice organizer trays used with this shelf are ordered/provided separately. Three organizers may be installed in one LSS1U-072/5 shelf. For more information on installing LT1B-typeSplice organizers, see 636-299-103-52 provided with organizer.

1. Rotate front door fasteners 1/4 turn, tilt door to align with hinge slots, and remove.
2. Insert organizers intermediate slide in shelf.
3. Depress tabs on rear of splice organizer tray, insert into intermediate slide, and push into shelf. Repeat Steps 2 and 3 for the next two LT1B-type splice organizer trays.

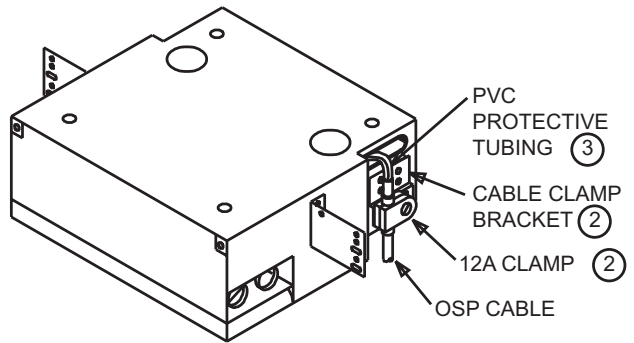
**STEP 5—SECURE AND GROUND OUTSIDE PLANT (OSP) CABLES**

**FRONT AND REAR ACCESS**

**REAR-TOP CABLE ENTRY**

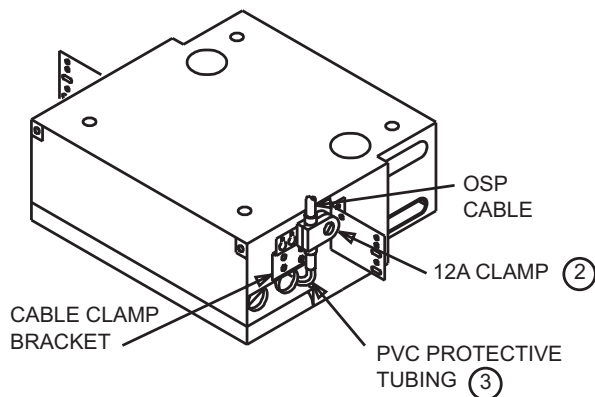


**REAR-BOTTOM CABLE ENTRY**

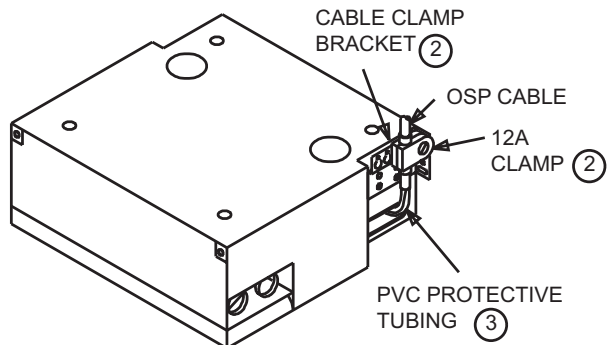


**FRONT ACCESS ONLY**

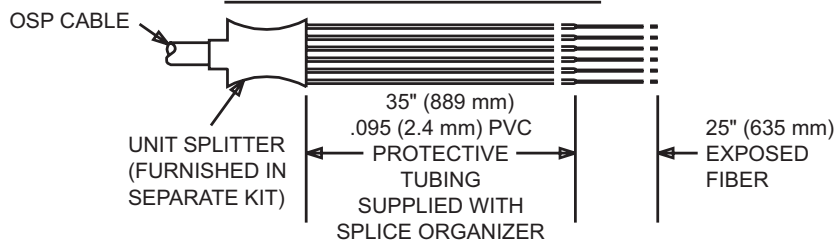
**FRONT-TOP CABLE ENTRY**



**(WALL MOUNTED) REAR-TOP CABLE ENTRY**

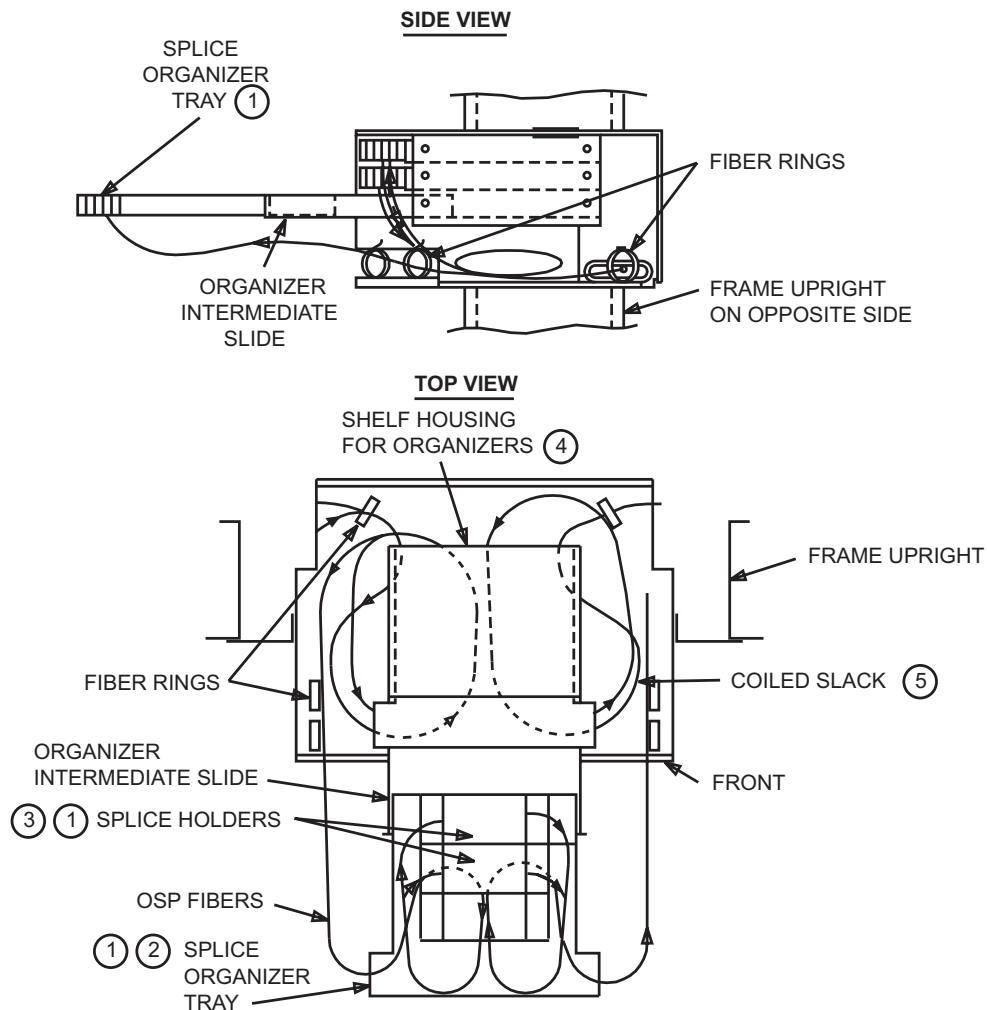


**TYPICAL STRANDED/LIGHTPACK®  
 OSP CABLE PREPARATION (1)**



1. Prepare stranded/LIGHTPACK® cables only as shown above using unit splitter. See 636-299-110 for cable preparation procedures for other types of cable.
2. Secure and ground OSP metallic cables to cable clamp bracket and frame, or suitable ground, with 12A1 clamps. Use 12A2 clamps with nonmetallic cables. The 12A clamps are ordered/provided separately - one per OSP cable to be secured. Refer to 636-299-110.
3. Route OSP cable fibers into shelf for splicing.



**STEP 6— SPLICE OSP FIBERS**

**Note:** Splicing can be accomplished with splice organizer tray removed or inserted into intermediate slide. For more information on splicing and installing LT1B-type splice organizers, see 636-299-103-52 provided with organizer.

**SPLICING PROCEDURE WITH SPLICE ORGANIZER INSTALLED IN SHELF**

1. Obtain rotary/mechanical, fusion, or mass fusion splice materials as required per type of splice to be made.
2. Pull splice organizer tray out to "stop" position.
3. Splice fibers, place into holders, and coil two loose turns of fiber slack in organizer tray.  
For mass fusion splices, splice fibers, place into holders, and coil one loose turn of fiber slack in organizer tray.
4. Slide splice organizer tray into shelf.
5. Carefully coil and store excess fiber slack in bottom of shelf.

**STEP 6—SPLICE OSP FIBERS (Contd)**

**SPLICING PROCEDURE WITH SPLICE ORGANIZER REMOVED FROM SHELF**

1. Obtain rotary/mechanical, fusion, or mass fusion splice materials as required per type of splice to be made.
2. Slide out splice organizer tray to "stop" position. Press down rear tabs on splice organizer tray and remove from intermediate slide.
3. Splice fibers, place into holders, and coil two loose turns of fiber slack in organizer tray.  
For mass fusion splices, splice fibers, place into holders, and coil one loose turn of fiber slack in organizer tray.
4. Depress tabs on rear of splice organizer, insert into intermediate slides and push into shelf.
5. Carefully coil and store excess fiber slack in bottom of shelf.