

Install Bend Limiters

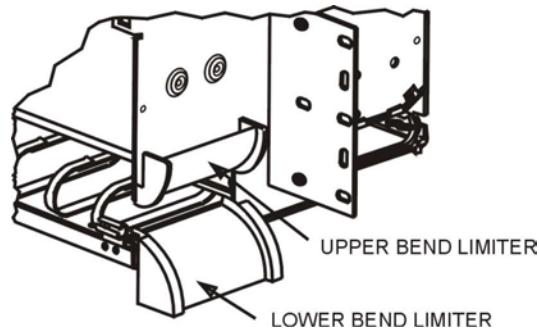


Figure 1. Bend Limiter

1. Install upper and lower bend limiters in the jumper ports on the left and right side of the shelf. The lower bend limiters are installed by snapping them into position. The upper bend limiters are installed using the double-sided foam tape provided. Make sure surface of shelf is clean, peel release paper from tape on upper bend limiter, and press into position.

⇒ NOTE:

Order CC# 107330565, Set Bend Limiters (Multipack), to equip existing shelves with bend limiters. Each multipack will equip five shelves (LST1U only).