

LSS1U-864/9 FIBER OPTIC SPLICE SHELF INSTALLATION

GENERAL

This instruction sheet provides procedures for mounting and routing fiber in the LSS1U-864/9 Fiber Optic Splice Shelf. The LSS1U-864/9 is used for storing up to 72, 12 fiber, mass fusion splices using six LT1B splice organizers (ordered separately) for a total of 864 splices.

CUSTOMER SERVICES

- Report missing or damaged parts to the OFS Sales Representative
- For technical assistance, dial 1 888 FIBER-HELP

REFERENCES

- LT1B Splice Organizer Installation, 636-299-103-52
- 12A3L Cable Clamp Kit Installation, 636-299-103-48

TOOLS REQUIRED

- Screwdriver (Blade or Phillips head)

CHECK PARTS AND INSTALL LABELS AND GROMMETS

(This product is intended for indoor use or outdoors in a suitable protective enclosure.)

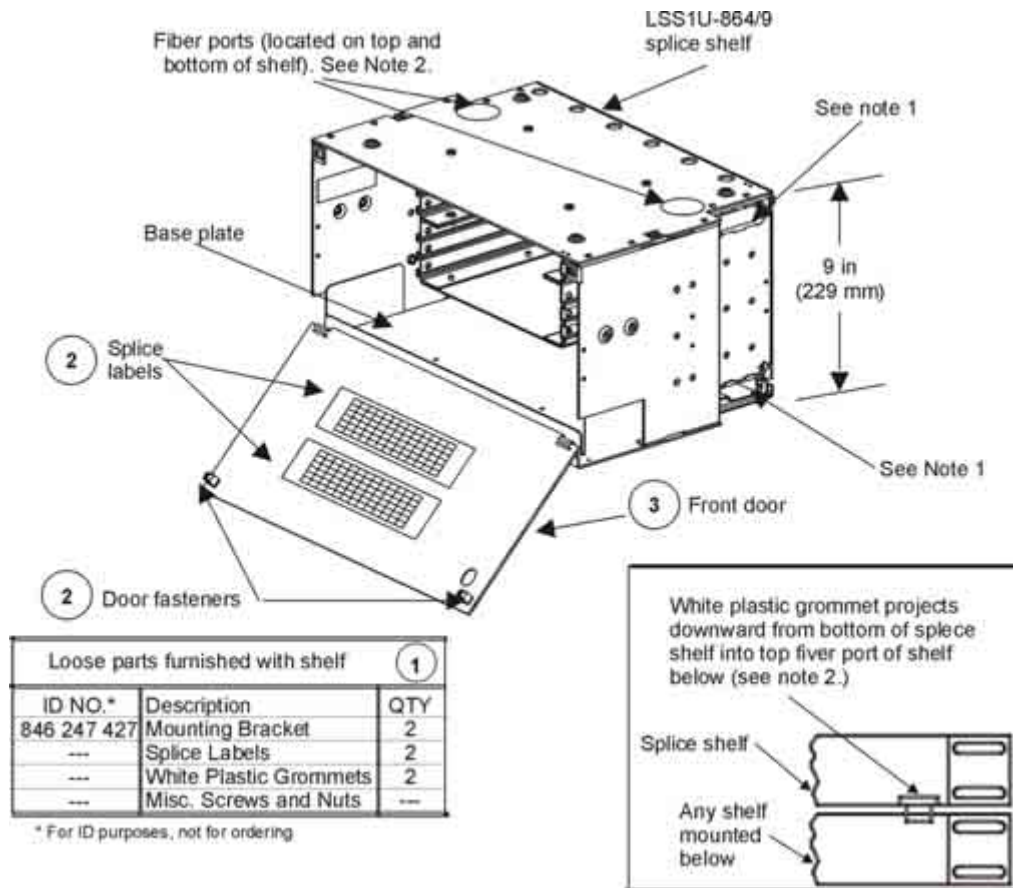


Figure 1. Component Locations

⇒ NOTE 1:

LS-type shelves come equipped with plastic grommets in upper cable ports and slotted out lower cable entry ports. The slots will have grommets and will permit easy lay-in of cables or fibers.

⇒ NOTE 2:

Grommets installed in fiber ports allow fibers to be routed internally to other shelves. To install grommets, remove bottom two-fiber port plugs. Install grommets from inside shelf projecting downward as shown above. When mounting splice shelf above another shelf, remove top fiber port plugs in shelf below. When mounting under another shelf, remove top two-fiber plugs in splice shelf.

1. Verify parts against parts list. Splice organizers used with this shelf are ordered/provided separately.
2. Rotate front door fasteners 1/4 turn, tilt open and apply splice label to inner side of door.
3. Return front door to closed position and rotate 1/4-turn fasteners to secure.

INSTALL SHELF MOUNTING BRACKETS AND MOUNT SHELF – LGX® FRAME

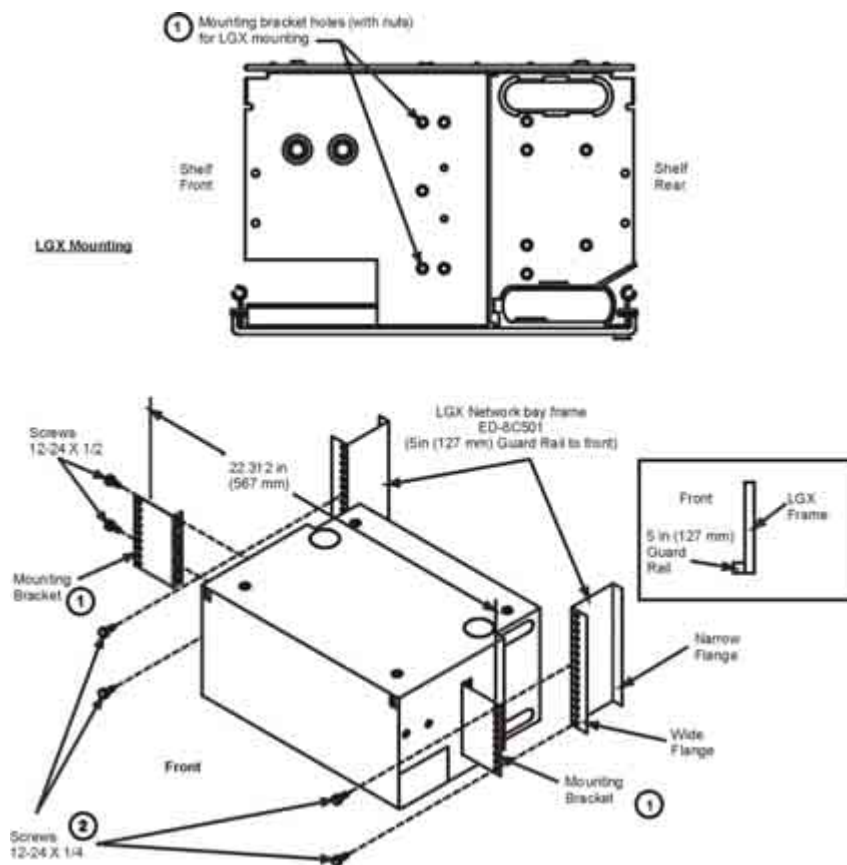


Figure 2. Mounting Side Brackets for LGX à Frame

1. Position and attach each mounting bracket to shelf using proper mounting holes (see above) with two 12-24 by 1/2 screws.
2. Install shelf to front of **LGX**® frame with two 12-24 by 1/4 screws per mounting bracket.

INSTALL SHELF MOUNTING BRACKETS AND MOUNT SHELF – OTHER THAN LGX FRAME

23-inch (567 mm) Frame Rear Mounting

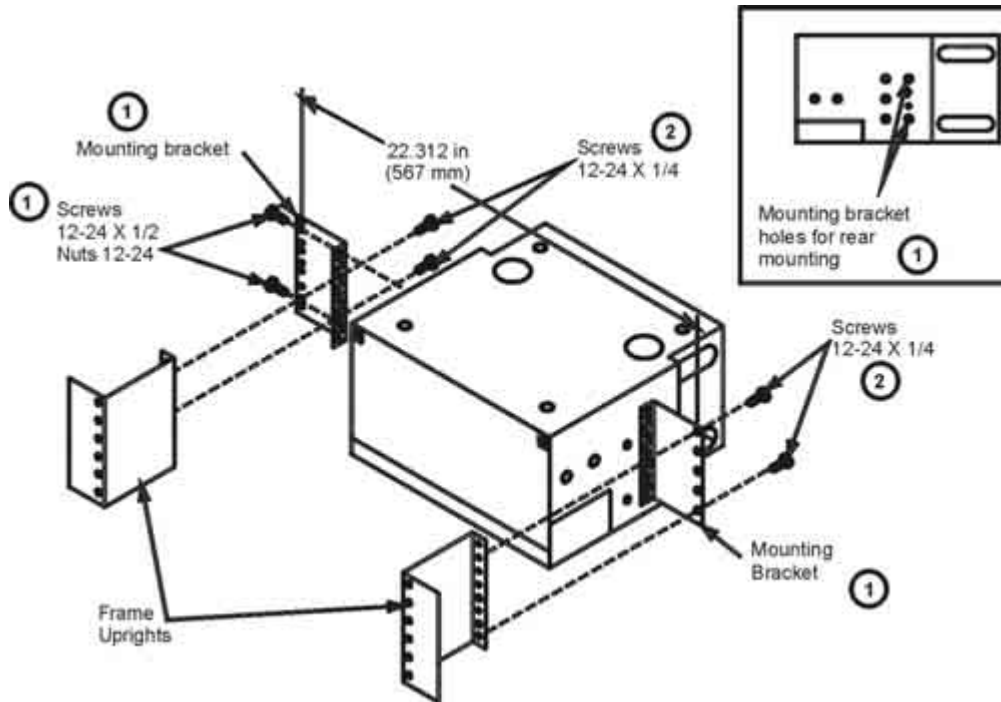


Figure 3. Mounting Side Brackets for 23-inch (567 mm) Frame

1. Position and attach each mounting bracket to shelf using proper mounting holes (see above) with two 12-24 by 1/2 screws and 12-24 nuts (with captive lockwashers).
2. Install shelf to frame with two 12-24 by 1/4 screws per mounting bracket.

INSTALL SHELF MOUNTING BRACKETS AND MOUNT SHELF – OTHER THAN LGX FRAME

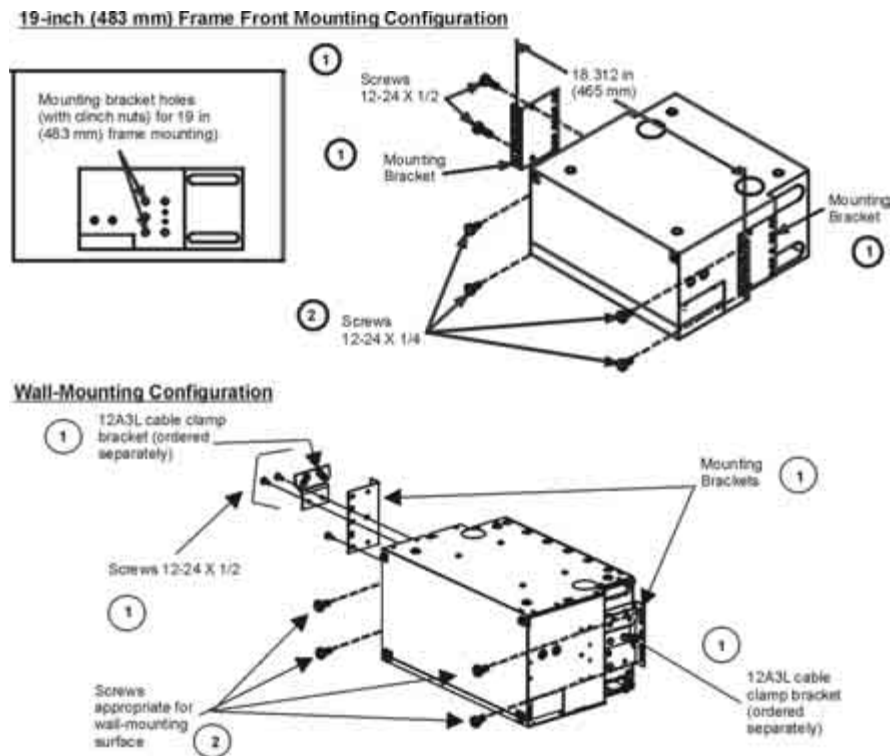


Figure 4. Mounting on 19-inch (483 mm) Frame

19-INCH (483 MM) FRONT FRAME MOUNTING:

1. Position and attach each mounting bracket to shelf using proper mounting holes (see above) with two 12-24 by 1/2 screws.
2. Install shelf to 19-inch frame with two 12-24 by 1/4 screws per mounting bracket.

WALL MOUNTING:

⇒ NOTE:

Illustration above is for wall-mounted top cable entry. See Step 3 for wall-mounted bottom cable entry. Shelf may also mount on 134-type wall bracket.

1. Position and install both shelf mounting bracket and cable clamp bracket to side of shelf with three 12-24 by 1/2 screws and 12-24 nuts (with captive lockwashers). Screws go through both brackets. Repeat Step 1 for opposite side of the shelf.
2. Install shelf to wall surface with two fasteners (locally obtained) per mounting bracket. Fasteners should be appropriate for wall surface.

INSTALL CABLE CLAMP BRACKETS

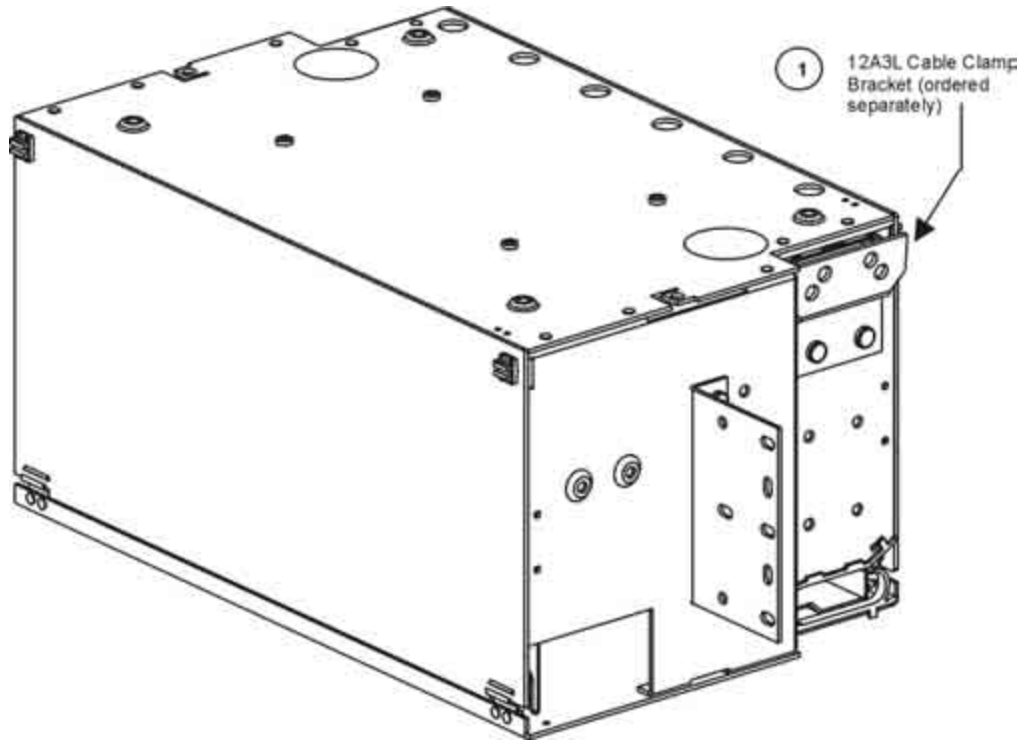
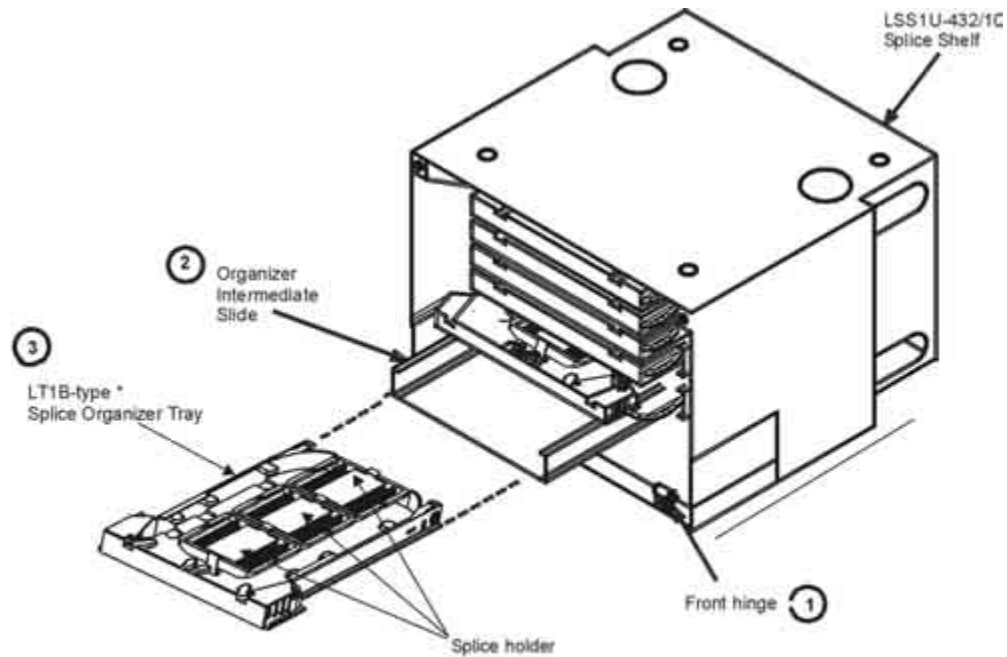


Figure 5. Rear Top Cable Entry

1. Position and install each cable clamp bracket to each side of shelf with two 12-24 by 3/8 screws and 12-24 nuts (with captive lockwashers). For wall-mounted shelves, cable clamp brackets were previously installed with mounting brackets.

INSTALL LT1B-TYPE SPLICE ORGANIZER(S)



- * - LT1B - MM for mechanical / Rotary splices
- LT1B - F/F for fusion splices
- LT1B - MF/MF for mass fusion splices

Figure 6. LT1B-Type Splice Organizer

⇒ NOTE:

The LT1B-type splice organizer trays used with this shelf are ordered/provided separately. Six organizers may be installed in one LSS1U-864/9 shelf. For more information on installing LT1B-type splice organizers, see 636-299-103-52 provided with organizer.

1. Rotate front door fasteners 1/4 turn, tilt door to align with hinge slots, and remove.
2. Insert organizers intermediate slide in shelf.
3. Depress tabs on rear of splice organizer tray insert into intermediate slide, and push into shelf. Repeat Steps 2 and 3 for the next two LT1B-type splice organizer trays.

SECURE AND GROUND OUTSIDE PLANT (OSP) CABLES

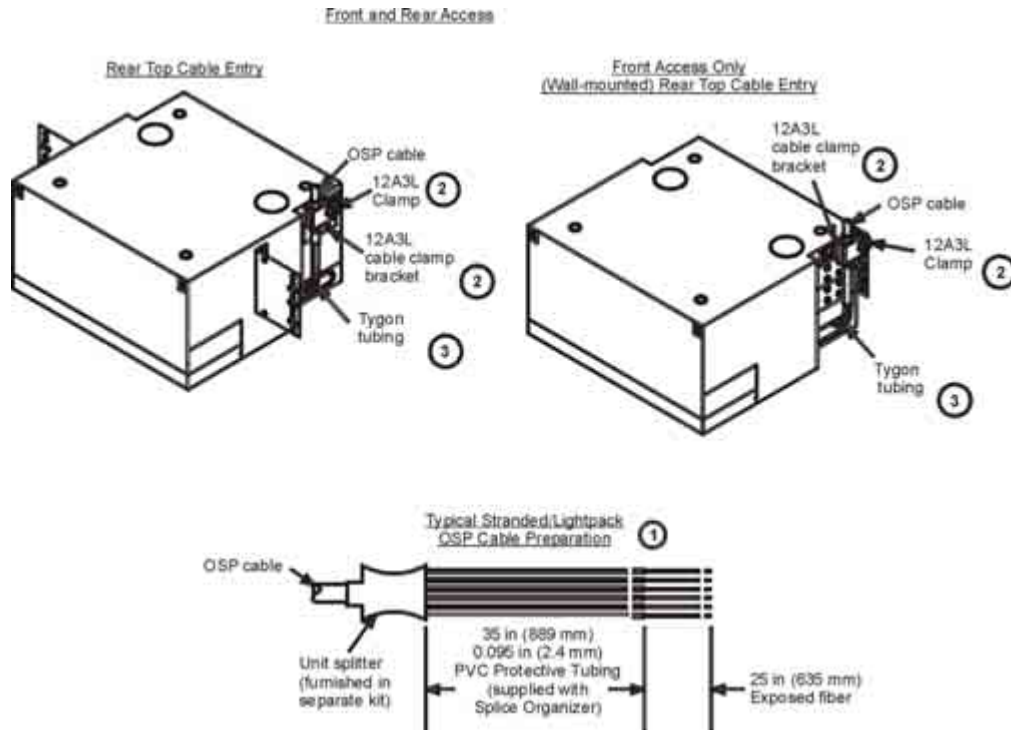


Figure 7. OSP Cable Locations

1. Prepare stranded/ **LIGHTPACK**® cables only as shown above using unit splitter. See 636-299-110 for cable preparation procedures for other type cable.
2. Secure and ground OSP metallic cables to cable clamp bracket and frame, or suitable ground, with 12A3L clamps. The 12A3L clamps are ordered and provided separately – one per OSP cable to be secured.
3. Route OSP cable fibers into shelf for splicing.

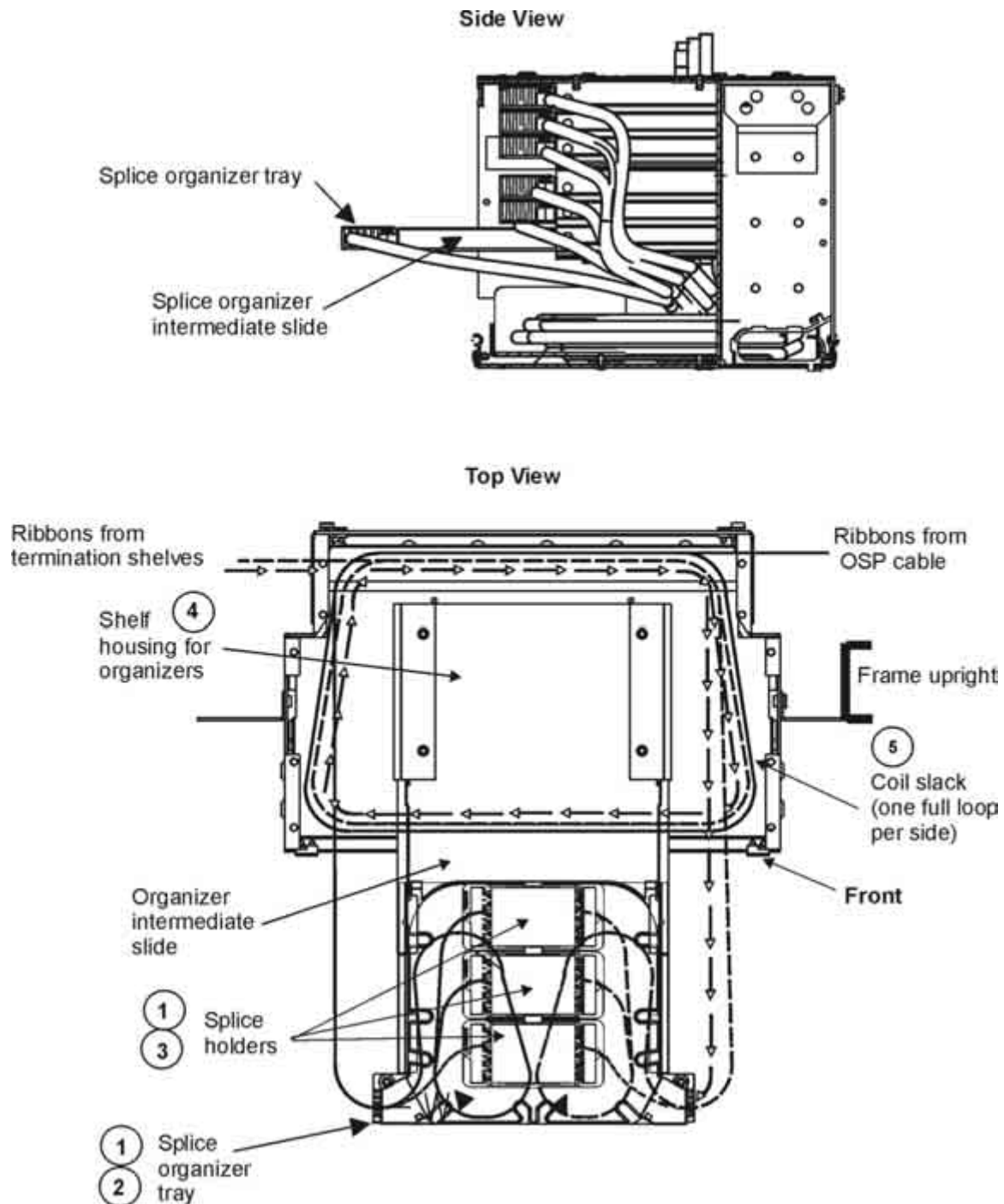


Figure 8. Slack Fiber Storage

SPLICING PROCEDURE WITH SPLICE ORGANIZER INSTALLED IN SHELF

1. Obtain rotary/mechanical, fusion, or mass fusion splice materials as required per type of splice to be made.
2. Pull splice organizer tray out to "stop" position.
3. Splice fibers, place into holders, and coil two loose turns of fiber slack in organizer tray. For mass fusion splices, splice fibers, place into holders, and coil one loose turn drum in organizer tray.
4. Slide splice organizer tray into shelf.
5. Carefully coil and store excess fiber slack in bottom of shelf.

SPLICING PROCEDURE WITH SPLICE ORGANIZER REMOVED FROM SHELF

1. Obtain rotary/mechanical, fusion, or mass fusion splice materials as required per type of splice to be made.
2. Slide out splice organizer tray to "stop" position. Press down rear tabs on splice organizer tray and remove from intermediate slide.
3. Splice fibers, place into holders, and coil two loose turns of the fiber slack in organizer tray. For mass fusion splices, splice fibers, place into holders, and coil one loose turn in organizer tray.
4. Depress tabs on rear of splice organizer; insert organizer into intermediate slides, and push into shelf.
5. Carefully coil and store excess fiber slack in bottom of shelf.