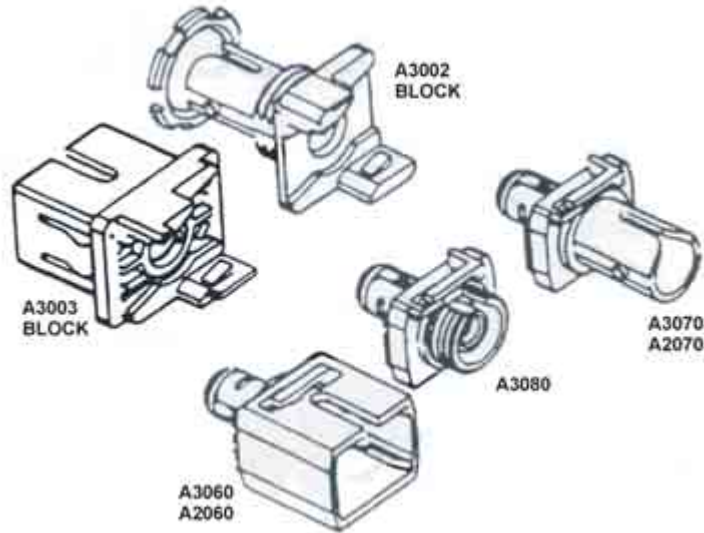
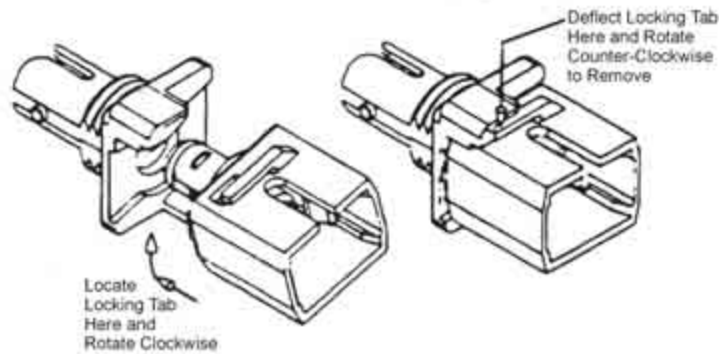


INSTALL UNIVERSAL BUILDOUT SYSTEM



WARNING:

Do not install a buildout into a block with the connector plug already in the buildout.



<p>INSTALL ST BUILDOUT SYSTEM</p> <p>A3001 BLOCK A3010 ST BUILDOUTS A3030 FC BUILDOUTS A2010 MM ST BUILDOUTS</p>	<p>INSTALL Deflect Locking Tab Here and Rotate Counter-Clockwise REMOVE</p>
---	---

UNIVERSAL BUILDOUT ADAPTER/ ATTENUATOR INSTRUCTIONS

Cleaning Instructions

Non Attenuated Caps

Non-attenuated caps should be cleaned prior to installation by blowing clean, dry compressed air/gas into either end. Never insert a cleaning stick of any kind into the sleeve. Reinstall the dust cap until a connector is inserted.

Attenuator Caps (yellow caps)

Each LC Attenuator cap has been inspected for debris before it is packaged. During use, the attenuator element may become contaminated with debris from multiple connections or environmental contaminants. This debris can be observed using a 10X eye-loupe with back lighting from any safe white light source. If debris is found on the attenuator element, the following procedure may be used to safely clean it without further compromising performance.

1. Remove the attenuator to be cleaned from the base.
2. Using clean, dry compressed air/gas, hold the attenuator approximately one inch from the end of the nozzle and blow into one end, then flip the attenuator and blow into the opposite end. One inch is a safe distance to prevent attenuator element damage.
Caution: Never insert a cleaning stick of any kind into the sleeve.
3. Look into the attenuator with a 10X eye-loop. If debris is still present repeat steps 1 through 3 until the element is clean otherwise reinstall the attenuator in the base. **If the attenuator element has been damaged cleaning will not improve the performance.**



WARNING:

When working with fiber optic connectors there is a possibility of invisible (infrared) radiation. Avoid direct eye exposure when examining connectors either with the naked eye or under magnification. **DO NOT** view active fiber signals under any circumstance. An indicator for the visualization of invisible IR light can be ordered from Edmund Scientific as part #53-031.

Note: *Installation and Removal instructions are on the opposite side of this page.*