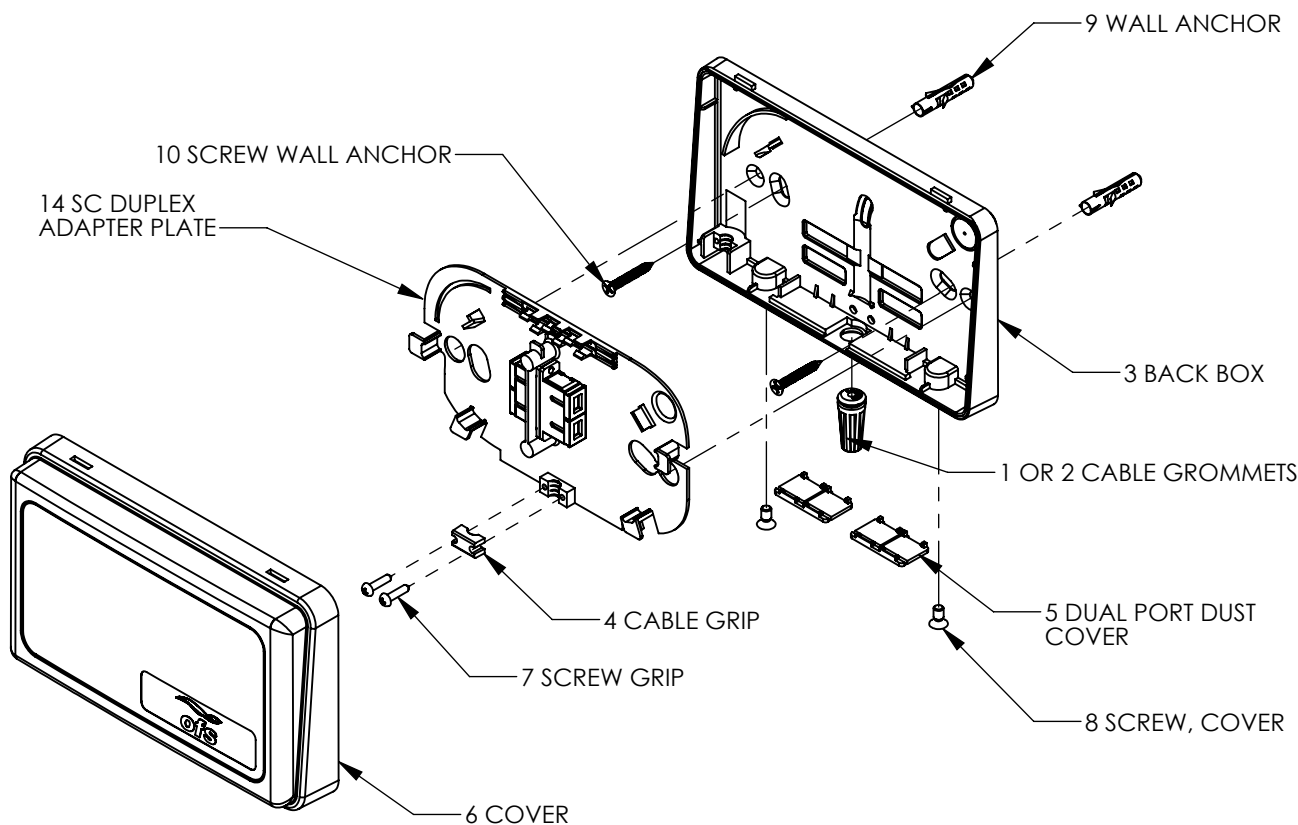
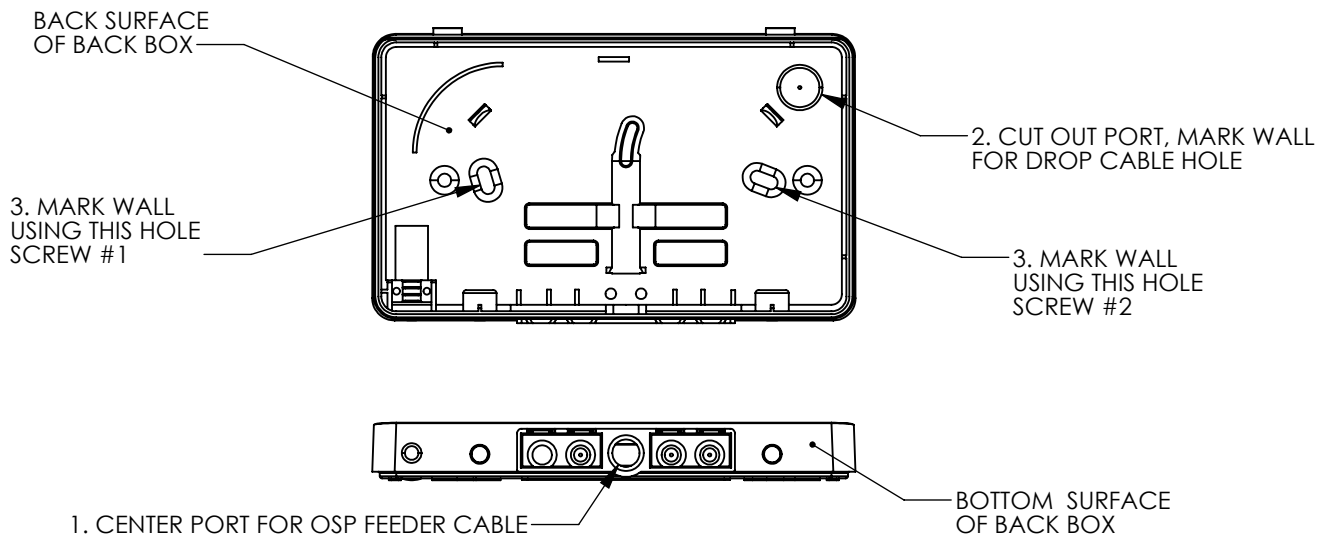


CUSTOMER SPLICE POINT (CSP) MODULE E/W SC DUPLEX ADAPTER



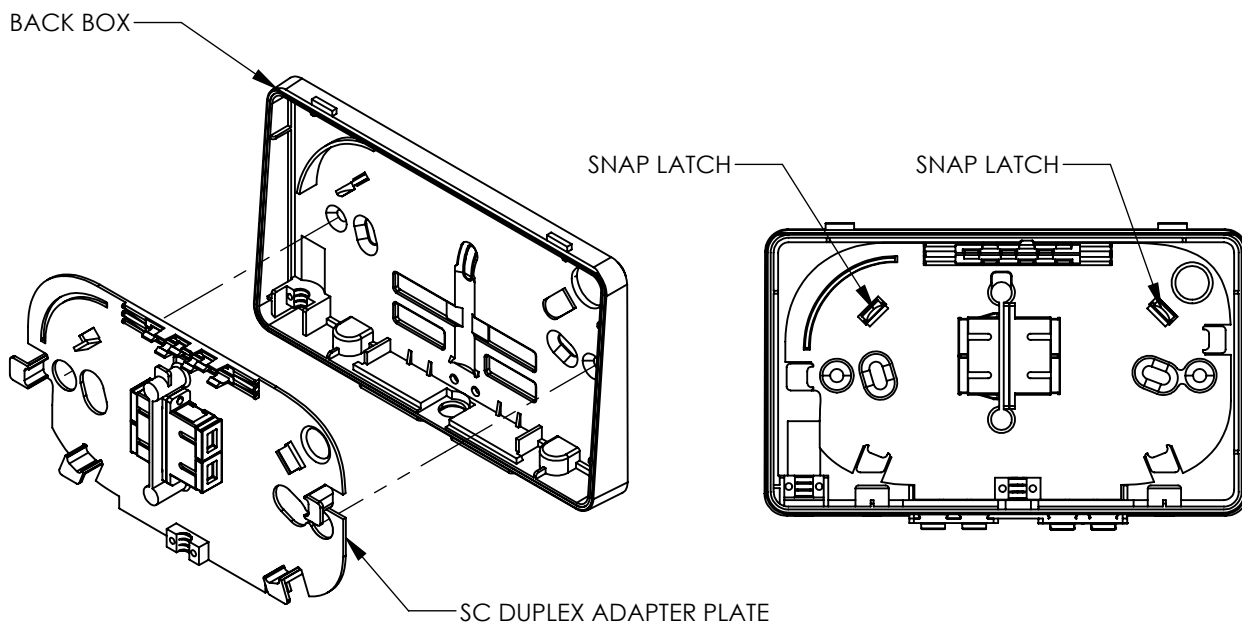
STOCKLIST		301098968 WSE4S-002-SBCO-
CUSTOMER SPLICE POINT MODULE E/W SC DUPLEX ADAPTER		FRY-SCAUNC-F
Item	Description	Qty
1	4.6 - 4.8mm Cable Grommet (Long), CSP Module	1
2	5.6 - 6.2mm Cable Grommet (Long), CSP Module	1
3	Back Box (Grey)	1
4	Cable Grips, Flat & Round Cable (Grey)	2
5	Dual Port Dust Cover (Grey)	2
6	Cover, OFS Logo (Grey)	1
7	M2.9X13mm PH Phillips Screw	2
8	M4-0.7 X 8mm Flat Hd Phillips Screw	2
9	Finned Screw Anchor #8-10 Screw 1.18LG X .18ID	2
10	M3.5X25mm Flat Hd Phillips Self Tapping Screw	2
11	M4X.7 10mm Threaded Insert (Not Shown, in Back Box item3)	2
12	L Ring 6"IC X 6.193"OD X 3/32 Width (Not Shown, in Cover item 6)	1
13	Instruction	1
14	SC Duplex Adapter Plate E/W SC DUPLEX ADAPTER	1

KNOCK OUT CABLE PORT & MARK DRILL HOLES ON WALL



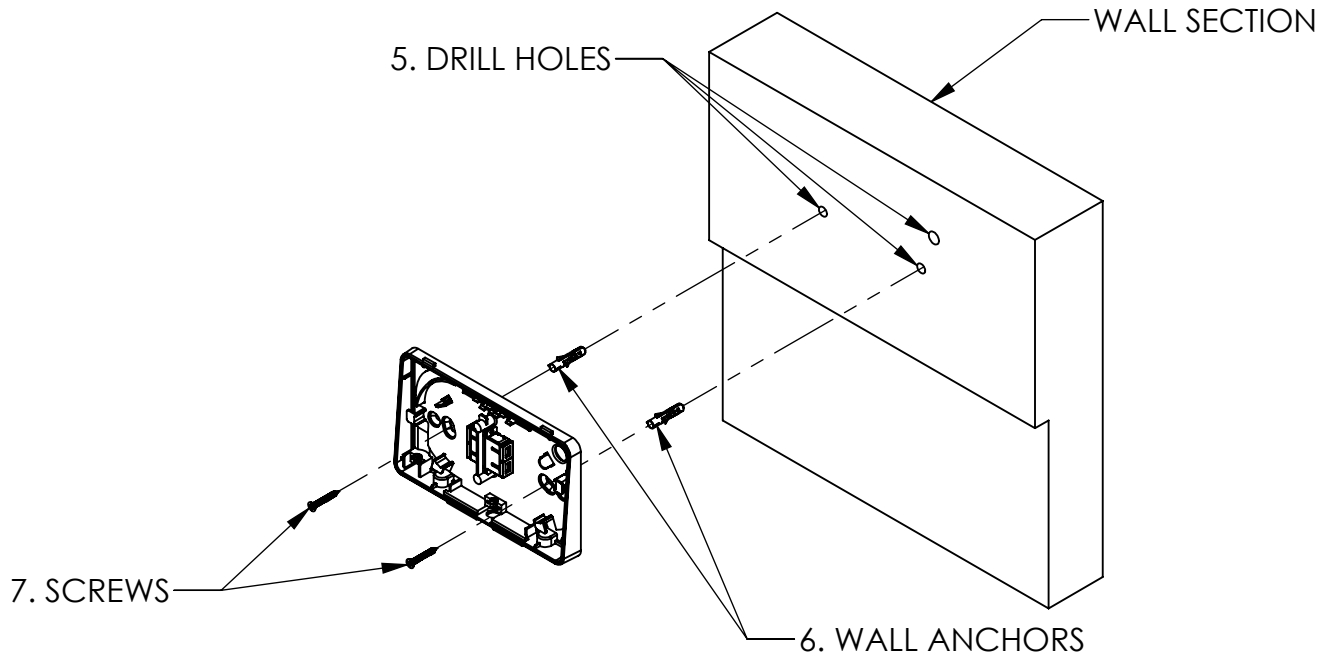
1. THE OUTSIDE PLANT FEEDER CABLE ENTERS THROUGH THE CENTER BOTTOM PORT.
2. THE DROP CABLE EXITS THROUGH THE BACK WALL OF THE BACK BOX. CUT OUT THE WALL OF THIS CABLE PORT WITH A UTILITY KNIFE.
3. USE THE BACK BOX TO MARK THE WALL FOR THE SCREWS AND THE DROP CABLE. SEE PAGE 3 FOR FULL SIZE DRILL PATTERN. MAKE SURE THE BACK BOX IS LEVEL WHEN THE HOLES ARE MARKED.

SC DUPLEX ADAPTER PLATE SUBASSEMBLY



4. THE ABOVE TWO FIGURES SHOW HOW THE SC DUPLEX ADAPTER PLATE IS FITTED AND FASTENED INTO THE BACK BOX.

FASTEN BACK BOX TO WALL



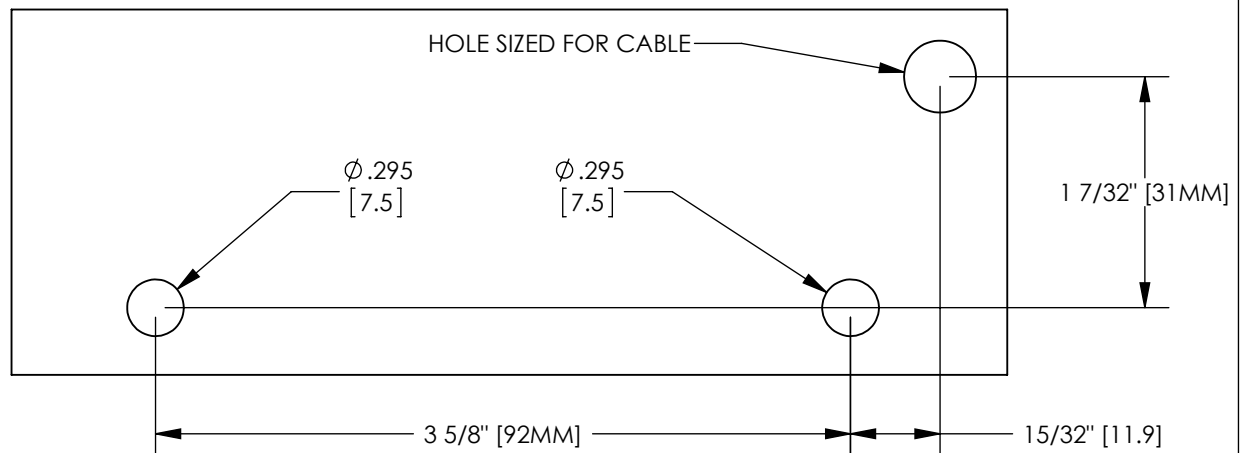
5. FOLLOW SAFETY GUIDELINES AND LOCAL PRACTICES WHEN DRILLING HOLES INTO AN UNFAMILIAR WALL. DRILL TWO $.295$ "[7.5MM] OD X $1\ 1/4$ "[31.75MM] DEEP HOLES FOR THE WALL ANCHORS. SIZE THE CABLE HOLE SO THAT THE SC CONNECTOR EASILY PASSES THROUGH THE WALL.

NOTE: IF THE WALL ANCHORS ARE NOT USED AND THE SCREWS ARE SCREWED DIRECTLY INTO THE WALL, THEN THE HOLE SIZE FOR THE ANCHORS IS $.125$ "[3.2MM] OD.

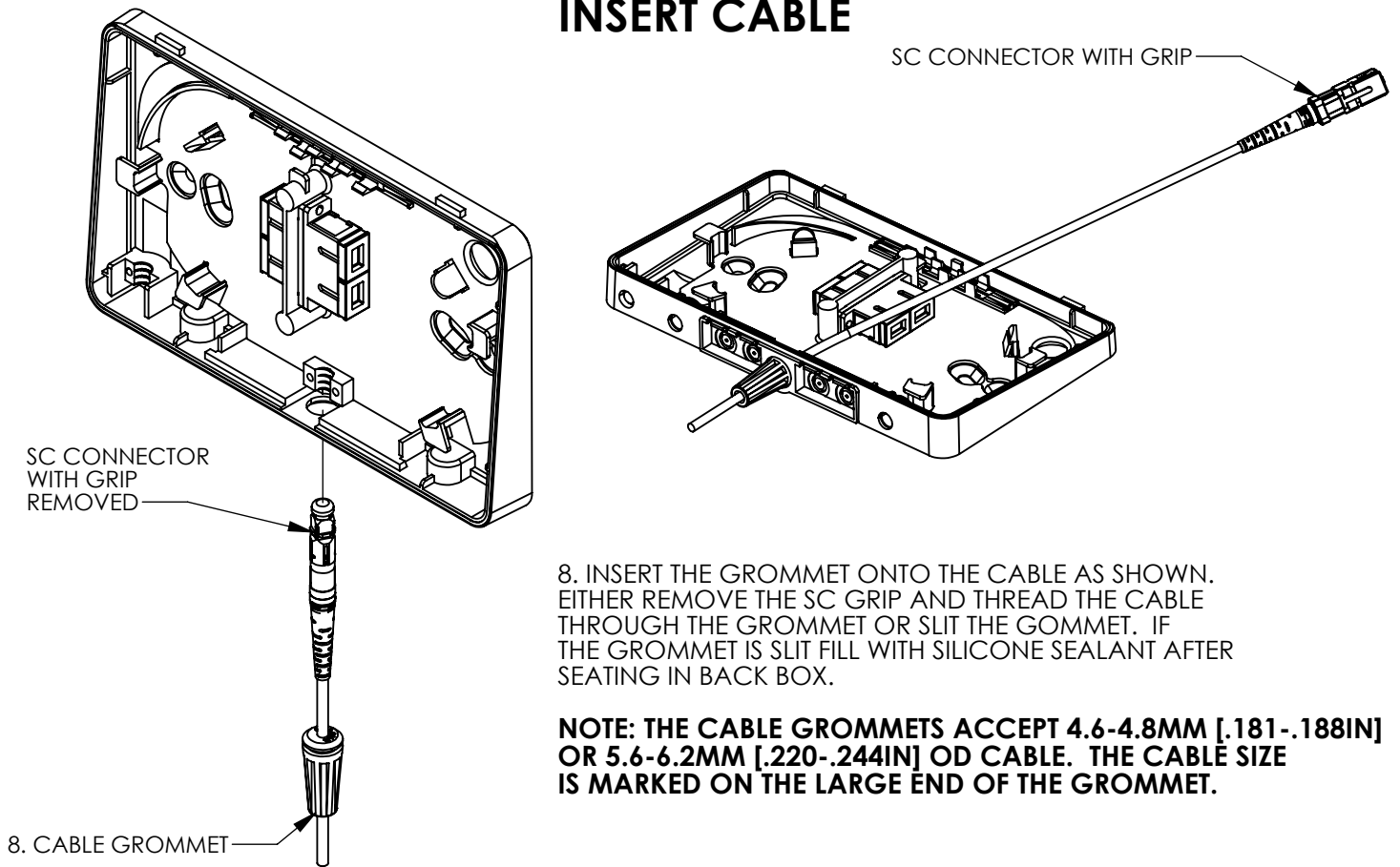
6. INSERT THE WALL ANCHORS INTO THE TWO $.295$ "[7.5MM] OD HOLES. PUSH THEM IN SO THAT THEIR SHOULDER BUTTS UP AGAINST THE WALL.

7. FASTEN THE BACK BOX TO THE WALL USING TWO M3.5 X 25MM SCREWS. SEAL THE TWO SCREW HOLES AS PER LOCAL PRACTICE.

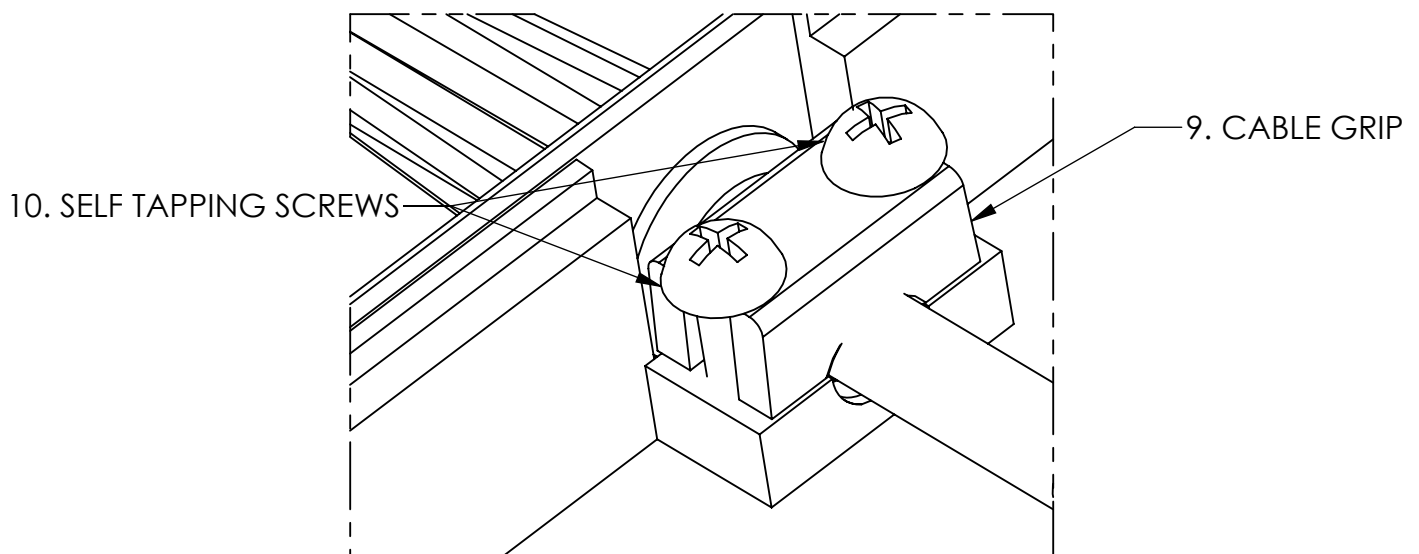
FULL SIZE DRILL PATTERN



INSERT CABLE



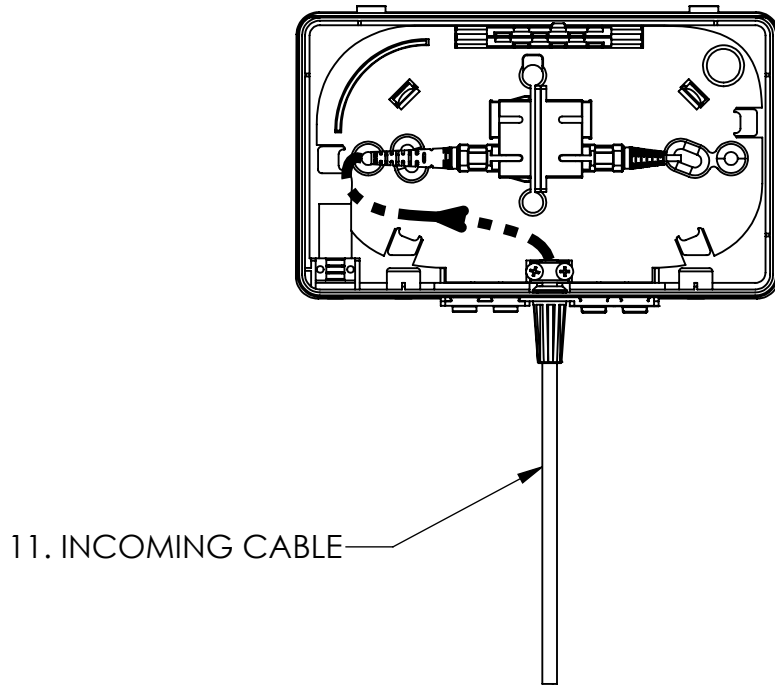
ANCHOR CABLE



9. PLACE THE TOP CABLE GRIP ONTO THE CABLE AS SOWN.

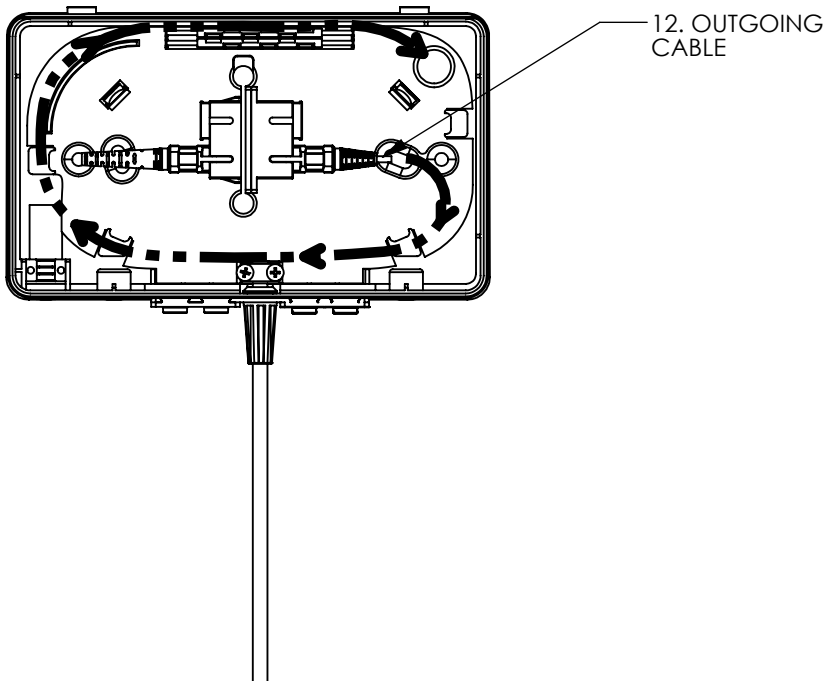
10. FASTEN THE GRIP WITH TWO M2.9 X 13 SELF TAPPING SCREWS.

ROUTE INCOMING CABLE



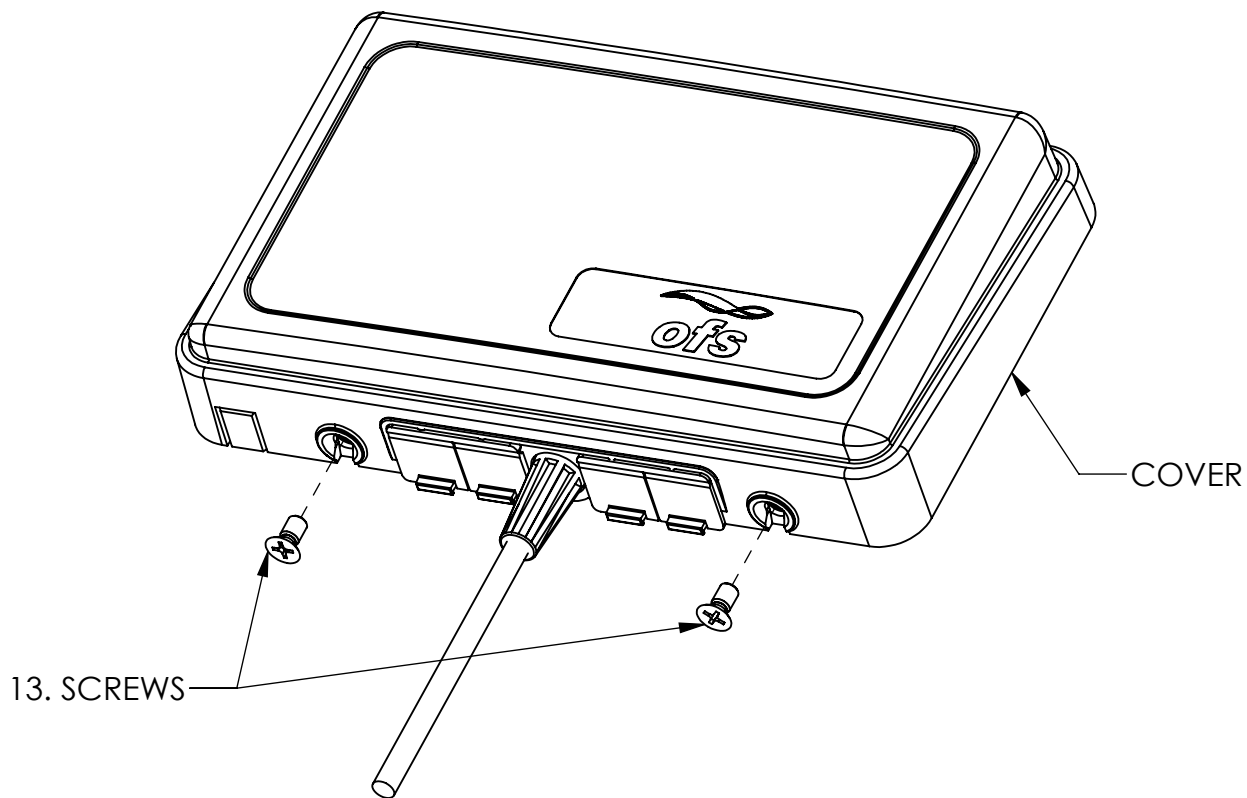
11. ROUTE THE INCOMING CABLE AS SHOWN.

ROUTE OUTGOING CABLE



12. ROUTE OUTGOING CABLE AS SHOWN

ATTACH COVER



13. PLACE COVER ONTO BACK BOX. FASTEN COVER WITH TWO SCREWS AS SHOWN