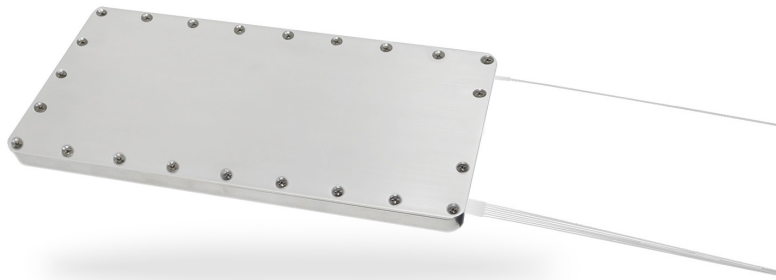




A Furukawa Company

TrueM2™ Fiber Laser Beam Combiners

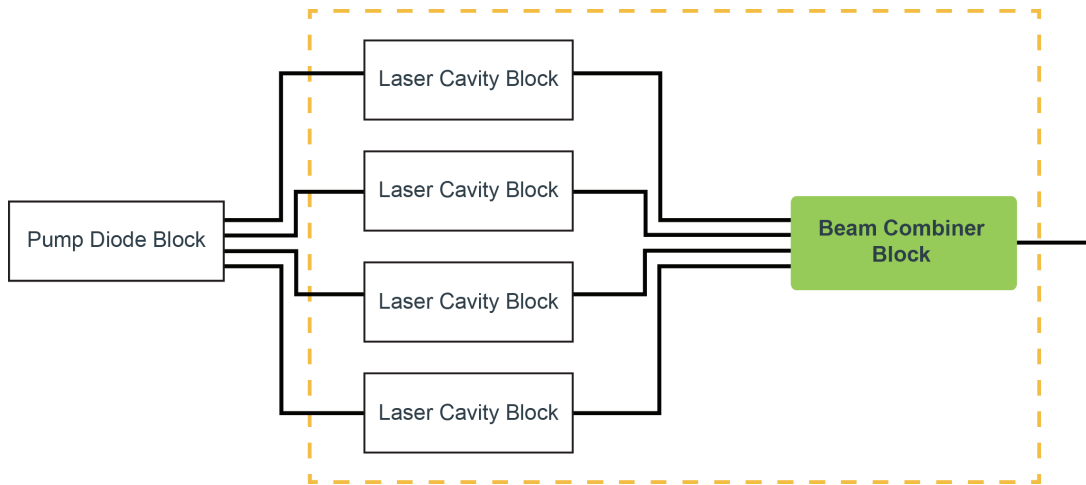


Overview

For multi-kW power levels, beam combining has become the method of choice to reach higher powers as needed. This modular approach offers many benefits in terms of building, spare provisioning, and future upgrades. OFS' TrueM2 Beam Combiners provide a practical means of scaling with only a few simple splices.

OFS' TrueM2 Beam Combiners offer two ways to reach multi-kW power levels: You can build with matching TrueMode™ Fiber Laser Cavities from OFS, or combine your existing fiber lasers with matching output.

All TrueMode Fiber Laser Cavity building blocks can be equipped with a singlemode output fiber, ready for direct coupling to a matching TrueM2 Beam Combiner. This truly single-mode operation helps ensure a low loss connection, which reduces instabilities and feedback effects.



With TrueMode and TrueM2 OEM building-blocks, OFS enables its customers to advance their multi-kW capabilities.

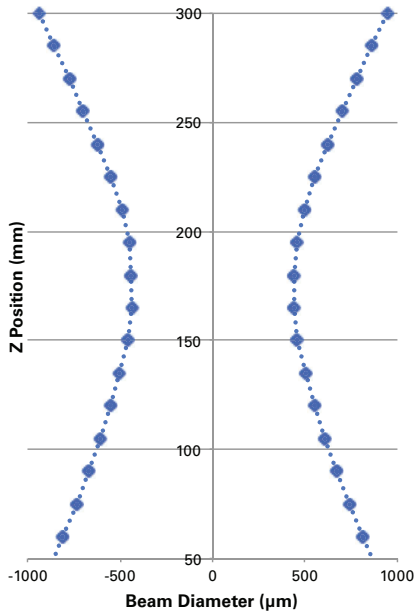


A Furukawa Company

True M2-14 6x1

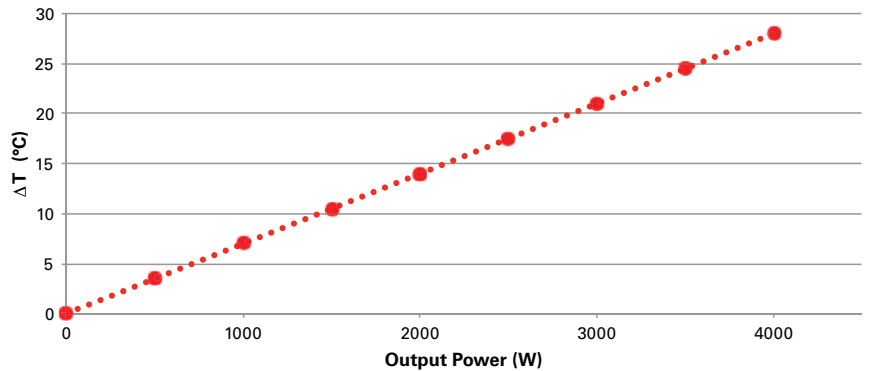
Optical Power Rating (Total)	≤6 kW
Transmission Performance	>95%
Number of Inputs	6
Visible Pilot Input	1 (14/200)
Nominal Input Fiber MFD (μm)	14
Cladding Diameter (μm)	200
Max. Input Power (per port)	1100W
Output Fiber Type (μm)	50/360
NA	0.22
Beam Profile	Flat-top
Beam Parameter Product	3-4 mm-mrad
Integrated Thermal Monitors	10-pin Connector
Transport and Storage (Temp/RH)	-20 to 60 °C (Non-condensing under operation and storage)
Approximate Dimensions (mm)	300 x 150 x 15

Item # 7000801



Measured Beam Quality (6X1 TrueM2-14)
BPP = 3.2 mm-mrad

Integrated Thermal Sensor for Installation and Monitoring



Copyright © 2019 OFS Fitel, LLC.
All rights reserved, printed in USA.

TrueMode and TrueM2 are trademarks of OFS Fitel, LLC.
OFS reserves the right to make changes to the prices and product(s) described in this document at any time without notice. This document is for informational purposes only and is not intended to modify or supplement any OFS warranties or specifications relating to any of its products or services.

OFS Marketing Communications
Date: 06/19

For additional information please contact your sales representative.

You can also visit our website at www.ofsoptics.com or call 1-888-fiberhelp (1-888-342-3743) USA or 1-770-798-5555 outside the USA.