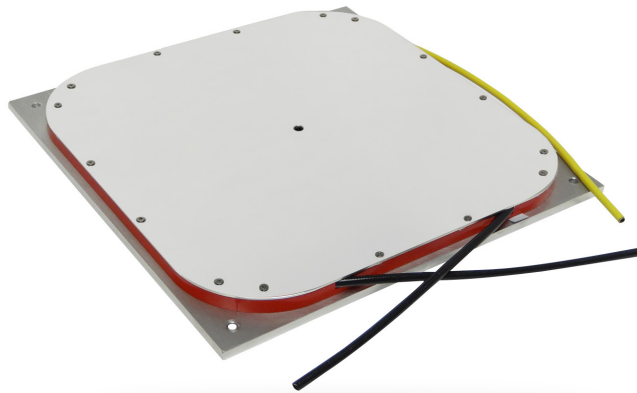




A Furukawa Company

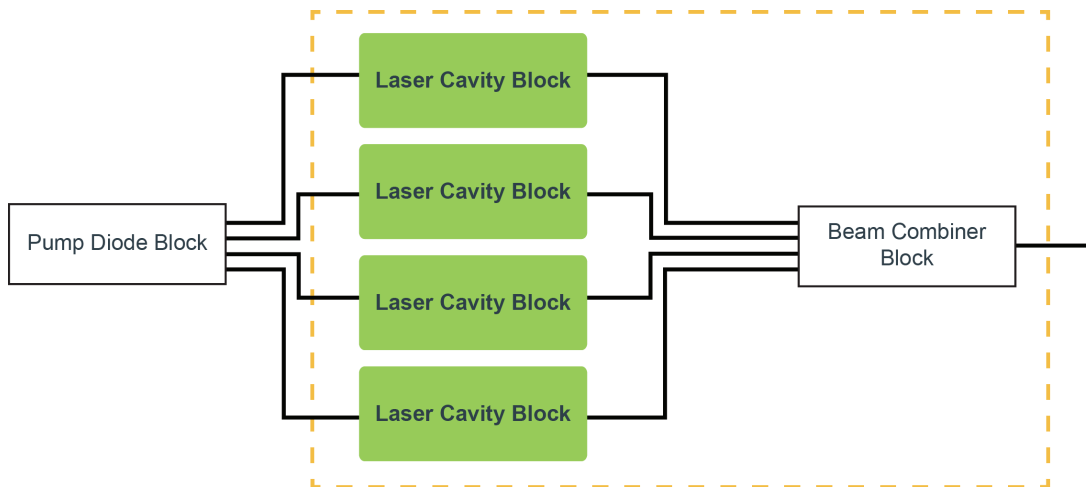
TrueMode™ Fiber Laser Cavities



Overview

OFS' proprietary technology in the areas of optical fibers and components are integrated in our TrueMode Fiber Laser Cavity and TrueM2™ Beam Combiner platforms. These platforms enable machine manufacturers to build their own fiber laser source using worry-free modular architecture, enabling them to produce a customized fiber laser based on their specific requirements and target market.

OFS TrueMode Fiber Laser Cavities provide a complete platform with matching internal components that enable delivery of up to 1kW of true single-mode output. The customer is able to select pump diodes of their choice (commercially available or customer's in-house design). The true single-mode design, and its near ideal splice loss capability, provides our customers an optical engine with consistent high optical-to-optical efficiency and beam quality.

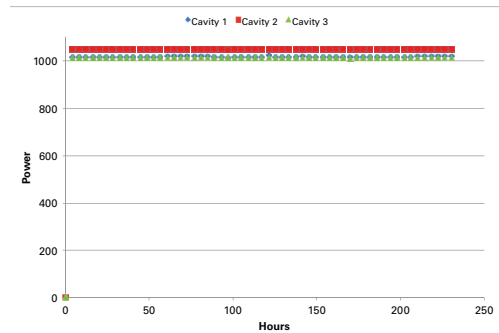


With TrueMode and TrueM2 OEM building-blocks, OFS enables its customers to advance their multi-kW capabilities.

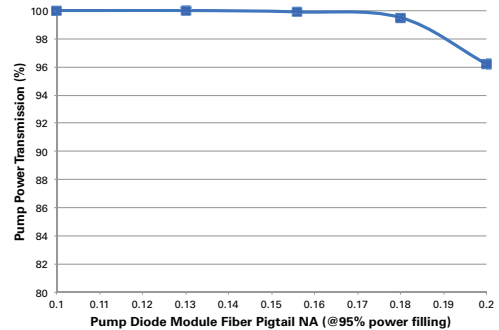


A Furukawa Company

OFS TrueMode cavities are now categorized by performance level: TrueMode-SP and TrueMode-kW. The TrueMode-SP can deliver up to 550W of output power and is designed for use in 500W applications. Providing 8 pump ports, it is designed for use with diodes delivering greater than 100W of pump power. The TrueMode-kW is designed for kW and, when used with our TrueM2 Beam Combiners, multi-kW applications. With up to 36 pump ports, the TrueMode-kW cavity can be used with diodes delivering greater than 50W of pump power. The breakthrough design of the TrueMode-kW cavity uses large numerical aperture pump diodes and incorporates a large pump diode count. It provides 1kW output with minimized non-linear effects and optimized thermal performance.



True Single-mode for True High Performance Consistency



Universal Pump Acceptance

TrueMode-kW			
Configuration	Fwd. Pumped	Bi-directional Pumped	
Max Output Power	1kW	1.0 - 1.3	1.5kW
Compatibility	>68%	>68%	>65%
Center wavelength (nm)	1070 ± 5 nm		
Optical Efficiency (%) (with 915 nm pump)	>68%		
Pump Diode Requirements			
Maximum Number of Input Ports	18	36	
Diode Fiber Pigtail	110/125		
Fiber Numerical Aperture	0.22		
Beam Delivery			
Output Fiber	14/200		
Beam Quality M2	<1.1 Single-mode Output		
Features			
Visible Pilot	Yes		
Transport and Storage (temp)	-20 to 60 °C (Non-condensing under operation and storage)		
Approximate Dimensions (mm)	300 x 300 x 17 mm		
Item #	7001000-08	7001000-XX	

Copyright © 2019 OFS Fitel, LLC. All rights reserved, printed in USA.

OFS Marketing Communications Date: 06/19

TrueMode and TrueM2 are trademarks of OFS Fitel, LLC. OFS reserves the right to make changes to the prices and product(s) described in this document at any time without notice. This document is for informational purposes only and is not intended to modify or supplement any OFS warranties or specifications relating to any of its products or services.

For additional information please contact your sales representative.

You can also visit our website at www.foptics.com or call 1-888-fiberhelp (1-888-342-3743) USA or 1-770-798-5555 outside the USA.

